

teknion sanna



teknion

sanna

Teknion Sanna™ is a distinctly vibrant lighting collection comprised of the Sanna Lamp, suitable for desk, table and floor applications; as well as the Sanna Lightbar™ for task-focused activity.

Designed by Pablo Designs, premium materials and finishes enable Sanna to be customized for each space, application and user. Advanced LED technology brings a modern and vogue lighting experience to personal and shared spaces.

sanna lamp

Inspired by a fusion of craft and advanced manufacturing, the Sanna Lamp series is comprised of a unique felt shade featuring a magnetic LED module, allowing the light to be attached to any ferrous surface.





sanna desk lamp
Shade: *Heather Felt, Saffron*
Base: *Chrome*

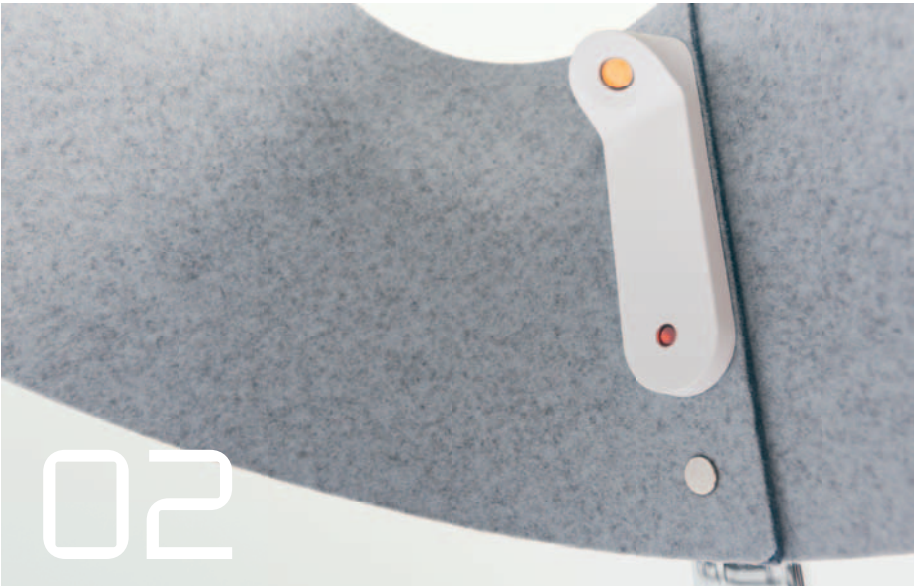
The Sanna Lamp collection is available in a variety of styles for maximum planning possibilities. The series comprises desk-, table- and floor-height options; as well as the ability

to mount individual shades on screens, accessory elements and drywall. A pivot clamp option completes the offering.

sanna lamp
features



01 magnetic shade
A Magnetic Shade attachment provides height-adjustment and tilting along the base stem. Shades are available separately for applications such as dual-sided placement.



02 light engine
The Light Engine with Optical Switch is discreetly fastened to the shade interior, providing directed light that creates a warm and rich experience.



03 freestanding base
The Freestanding Base is available in desk-, table- and floor-height sizes. The base ring maintains a harmony with the shade creating a residential expression.



04 leather pull tab
A Leather Pull Tab affixed to the Magnetic Shade provides ease of shade positioning and removal.

sanna lamp
finishes



outer shade finish



Noil *Alumina* *Bone Ash* *Pinon Tree* *Vicuna* *Saddle* *Indian Ocean* *Mustard Seed* *Saffron* *Acai*

inner shade finish



Noil

leather pull tab



Tan

freestanding and pivot clamp base finish

Accent Colors



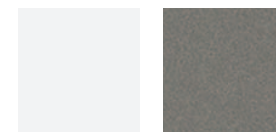
Mineral Teal *Crimson* *Palm* *Butternut* *Terra Cotta* *Plum*

Chrome



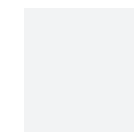
Chrome

screen mount finish



Very White *Graphite*

accessory element and drywall mount



Very White

base screws



Polished

Mica



Platinum *Graphite* *Anthracite* *Sepia Bronze* *Burnished Bronze* *Titanium Grey* *Gilded Ash* *Arctic* *Very White*

sanna lightbar

The Sanna Lightbar provides a truly hi-performance lighting experience via its simple and elegant form, 360 degree adjustment and full-range dim control that transform it from a companion ambient light to a work-focused task light. It creates a lighting experience to complement the mood, task or time of day.

Sanna Lightbar's linear LED light is cleverly integrated into its sophisticated swing-arm mechanism, which hovers across a horizontal plane below the user's line of sight. Ergonomic and glare-free, it allows the user to articulate maximum light coverage across a surprisingly wide area on the desktop, then fold it away to half its size and provide a controlled ambient light.





12

sanna freestanding lamp
Finish: *Crisp Grey*
Base: *Fine Grain, White Out*

Sanna Lightbar occupies minimal footprint in a workspace. Mounting options include edge-clamp, mount-through and a freestanding base, which features soft material inlay options for placement of mobile devices and other personal items.

sanna lightbar
features



01 home position
The signature position which gave Sanna Lightbar its name, the home position features a precise gap between the light engine and reach, allowing a thin bar of light to escape.

02 companion position
The light engine positions towards or away from the user to help facilitate the task at hand. Alternating between positions and dimming levels creates many diverse moods.

03 focus position
At full articulation, the light engine hovers over a large surface area providing an accurate level of high quality, focused LED light.

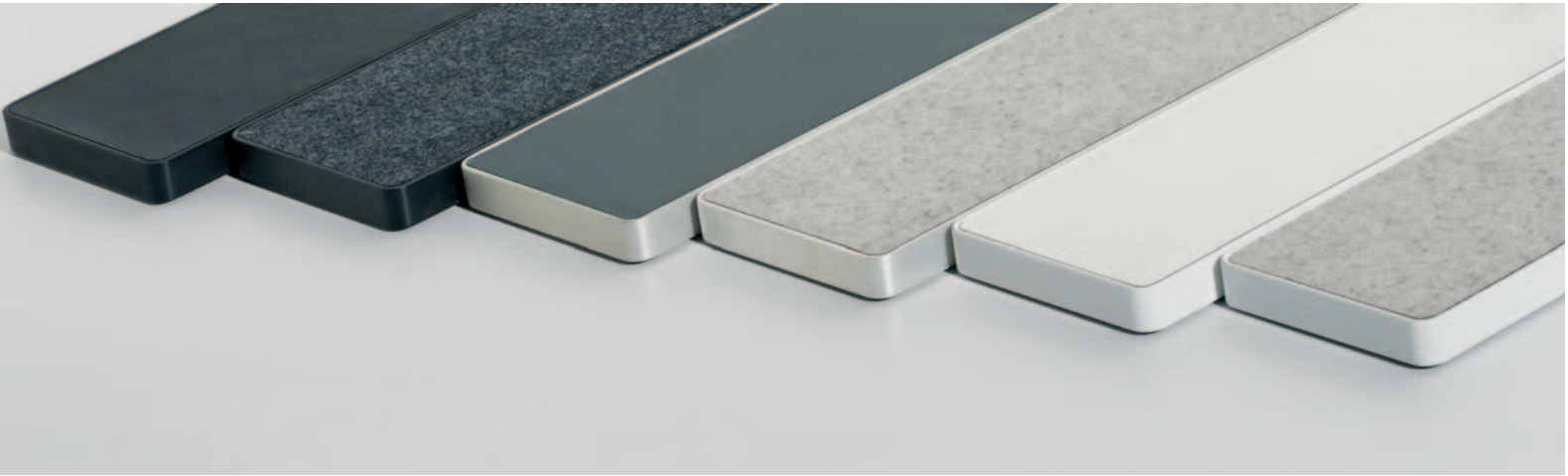
04 light shade
The reach arm that articulates the light engine features a hollow design, acting as a shade element when Sanna Lightbar is in its home position.

05 mounting options
Supporting application and placement requirements, Sanna Lightbar is offered with a freestanding base, mount-through or edge clamp option.

sanna lightbar
finishes

Sanna Lightbar is available in three curated color palettes, each classic yet offering distinction for aesthetic integration with other furnishings.

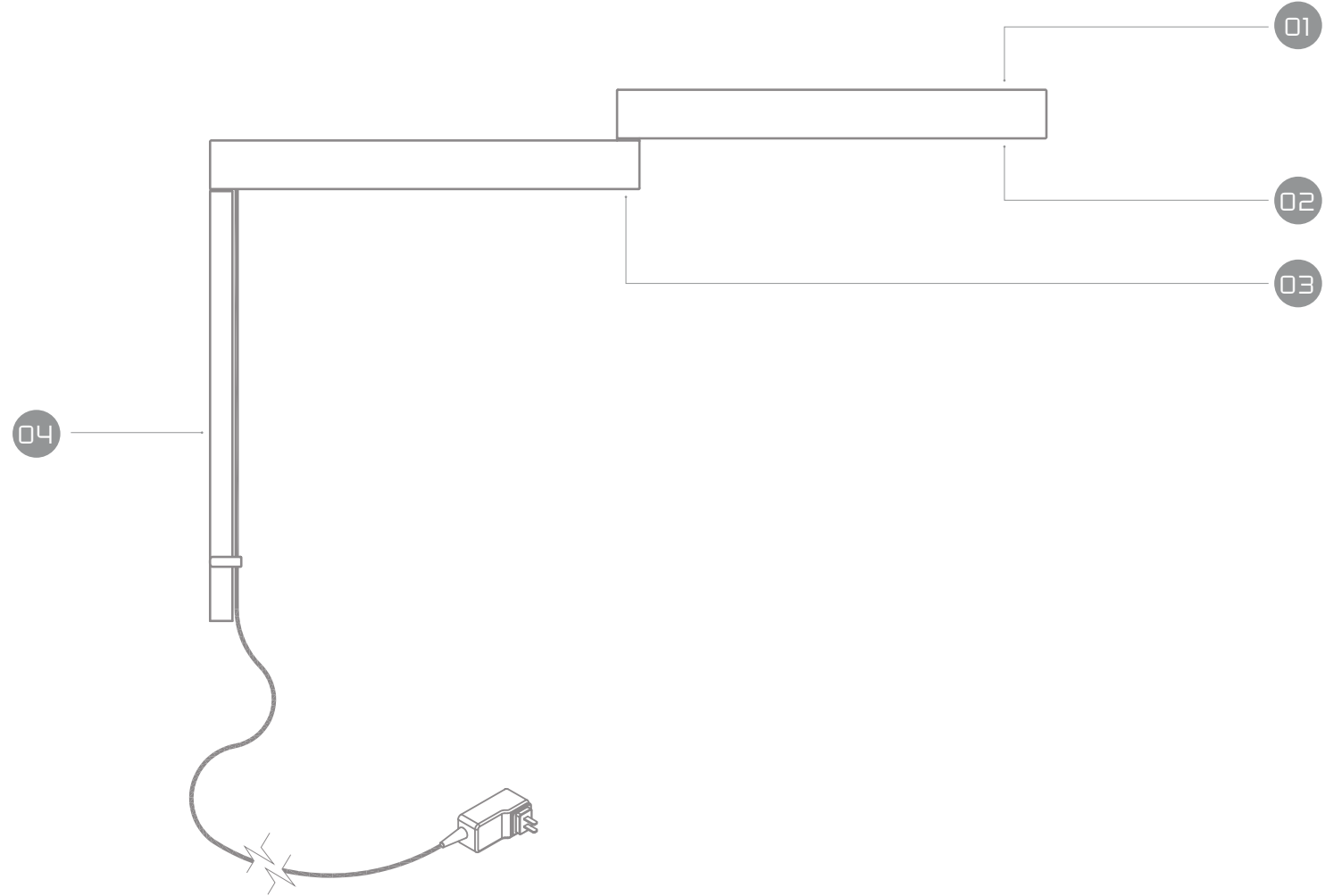
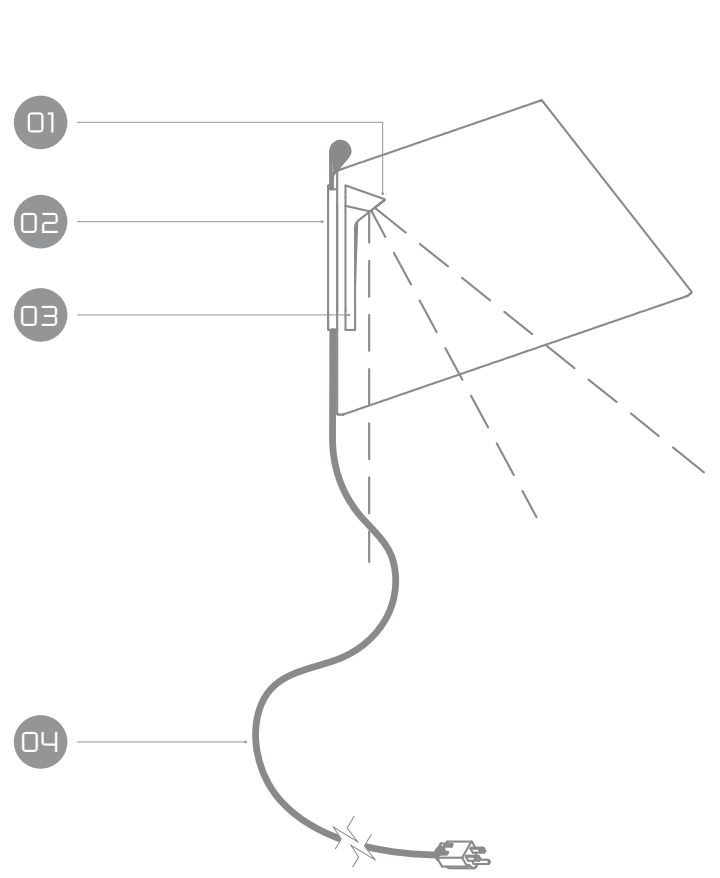
The freestanding base features an upholstered insert for convenient placement of personal items or work tools.



| | | | |
|--------------------------|------------|------------|------------|
| | option 01: | option 02: | option 03: |
| frame | | | |
| freestanding base insert | | | |
| | | | |
| edge clamp | | | |

specifications:
sanna lamp

sanna lightbar



- 01 high output chip-on-board LED light engine
- 3000K color temperature
 - 50,000 hours
 - 5.5W power consumption
 - 120/220V 60HZ voltage
 - 90+CRI
 - 350 lumens
 - 64 lumens/watt

- 02 magnets
- Allows shade to attach to base stem or any other ferrous surface
 - Provides shade tilting and height adjustment

- 03 optical switch
- Full range dim control from 100 percent to 10 percent with swipe selection of 100/70/0
 - Touch sensitive switch with light level memory

- 04 woven cord
- Cord length 9 feet
 - Lock and turn into power adapter

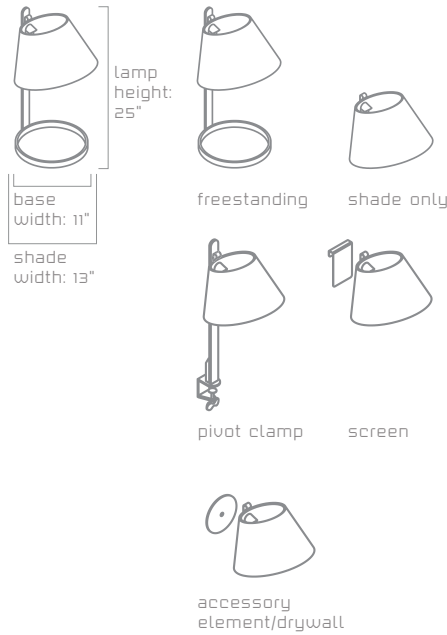
- 01 optical switch
- Full range dim control from 100 percent to 10 percent with swipe selection of 100/50/0
 - 6 hour automatic shut off timer

- 02 high output LED light engine
- 3000K color temperature
 - 50,000 hours
 - 8W power consumption
 - 120/220V 60HZ voltage
 - 2500 lux illuminance
 - 90+CRI
 - 610 lumens
 - 75 lumens/watt

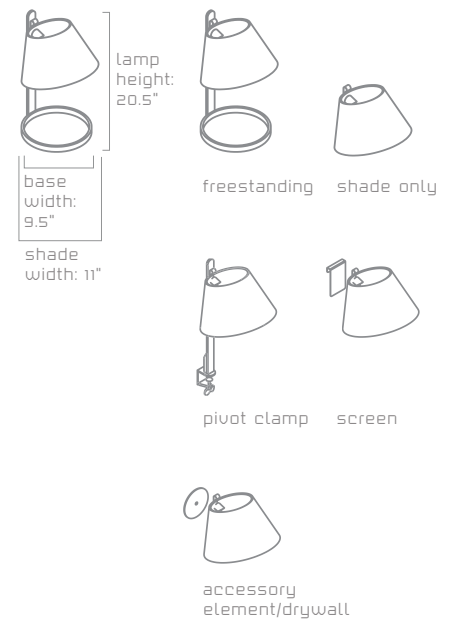
- 03 reach cut out
- Creates a unique ambient experience allowing only a portion of the light to reach the surface

- 04 woven cord
- Cord length 6 feet
 - Lock and turn into power adapter

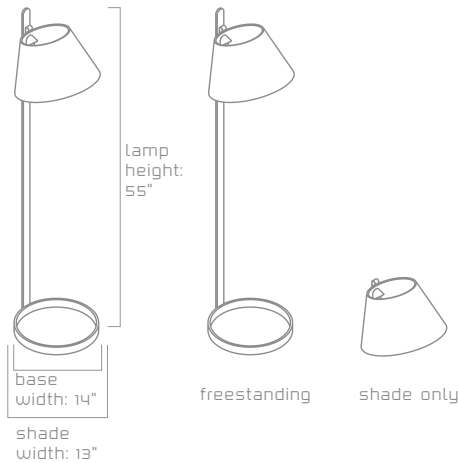
sanna table lamp



sanna desk lamp



sanna floor lamp



www.teknion.com

IN CANADA
1150 Flint Road
Toronto, Ontario
M3J 2J5 Canada
Tel 866.teknion
866.835.6466

IN THE USA
350 Fellowship Road
Mt Laurel, New Jersey
08054 USA
Tel 877.teknion
877.835.6466

OTHER OFFICES LOCATED IN
Europe, South and Central America,
Middle East, Asia and Russia
For regional contact information
go to www.teknion.com

CAN/US/INT 11-17
©Teknion 2017

®, ™ trade marks of Teknion
Corporation and/or its subsidiaries or
licensed to it. Patents may be pending.

Brochure Design: Vanderbyl Design
Printed in Canada. BR-100-0087EN

sanna lightbar

