



VISION technical specification



# VISION

## Electric Workstation

Vision is an electric height adjustable system with a clean, modern silhouette, and quality manufacturing at a minimal budget. It encourages flexibility and movement within any workplace, utilising the latest sit-stand technology and personalised safety precautions.

The unique adjustable bracket system found on the 3 leg frames allows for all angles from 90° to 120°, even up to an extra long 180° frame, and anything in between.

<b>PRODUCT TYPE</b>	Three Stage Electric Leg – One Motor per Leg
<b>CONFIGURATION</b>	180°   90°   120 °   180° Long   Custom Angle (3-leg only)
<b>HEIGHT RANGE</b>	625mm – 1275mm (excluding worktop)
<b>TOP SIZE</b>	2 Leg Frame 1000mm – 1800mm L x 600mm – 900mm D 3 Leg Frame 1400mm – 2000mm L x 600 – 900mm D 3 Leg Frame (L) 1400mm – 3600mm L x 600mm – 900mm D
<b>FOOT TYPE</b>	600mm C-foot with 30 ° angle, Adjustable glides +/- 10mm
<b>CONTROLLER</b>	Programmable 4 height settings including; Container/shelf stop for custom min and max height Collision control with adjustable sensitivity Gyroscopic tilt sensor with adjustable sensitivity Desk lock, press and hold or press and forget settings
<b>TRAVEL SPEED   VOLUME</b>	36mm/second   <48dB
<b>WEIGHT CAPACITY</b>	2 Leg Frame 120Kgs, 3 Leg Frame 150Kgs
<b>FINISH</b>	Charcoal Black, Pearl White, Pearl Silver
<b>WARRANTY</b>	Frame 10 years, Mechanics 10 years, Electrics 10 years



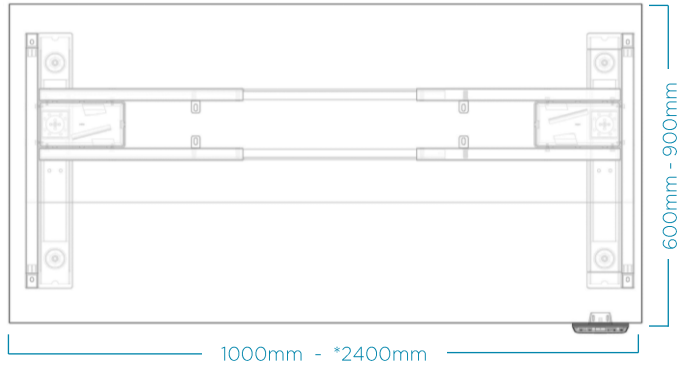
# VISION

## Electric Workstation

### TOP DIMENSIONS

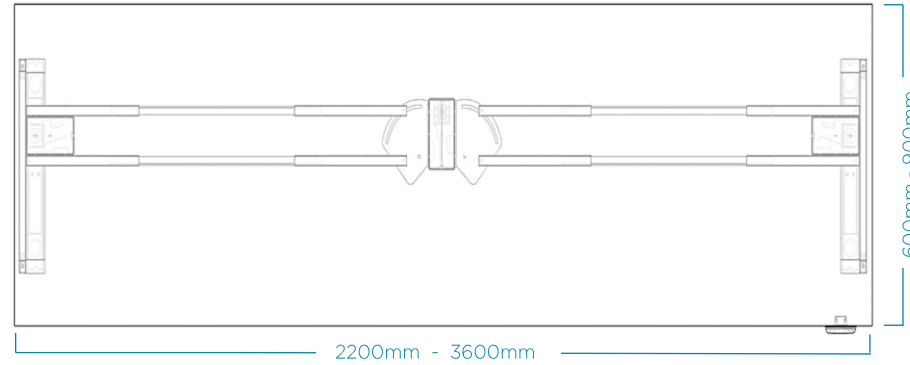
Straight 180° - 2 Leg Frame  
VIS-1000

Extension beam required for 1900mm - 2400mm lengths

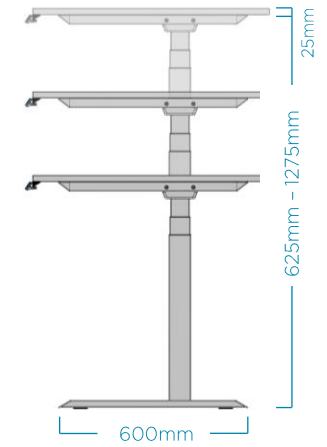


### TOP DIMENSIONS

Long 180° - 3 Leg Frame  
VIS-3000



### HEIGHT RANGE



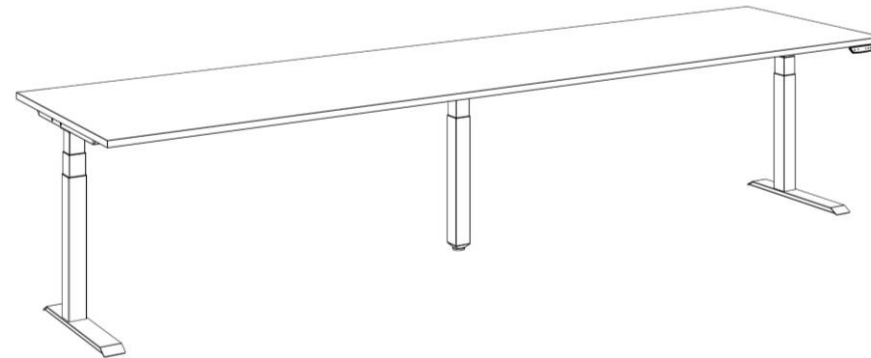
### TABLE CONFIGURATION

Straight 180° - 2 Leg Frame

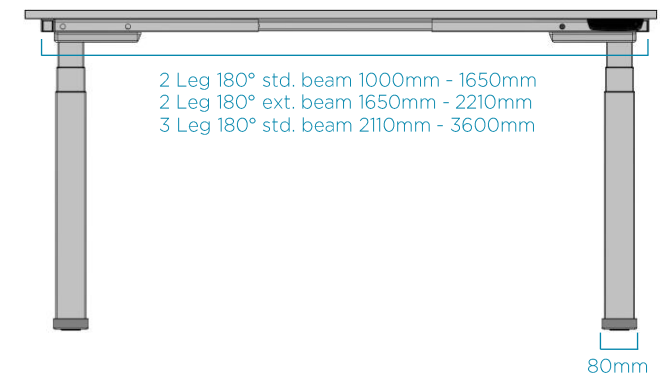


### TABLE CONFIGURATION

Straight 180° - 3 Leg Frame



### FRAME DIMENSIONS

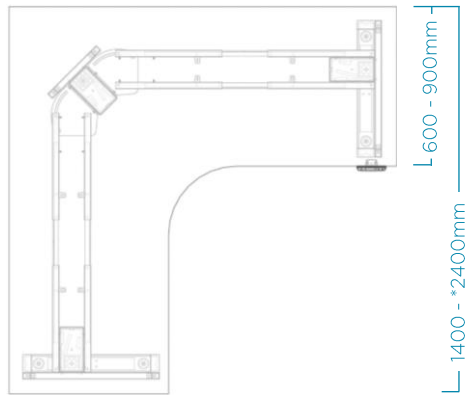


# VISION

## Electric Workstation

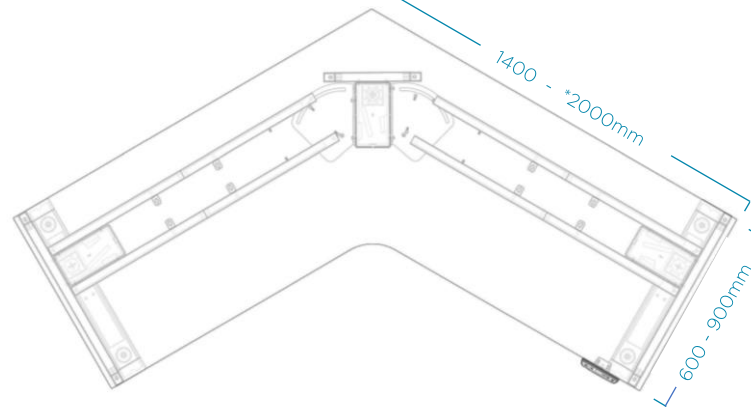
### TOP DIMENSIONS

90° Angle - 3 Leg Frame  
 VIS-3000  
 Extension beam required for 2000mm - 2400mm lengths



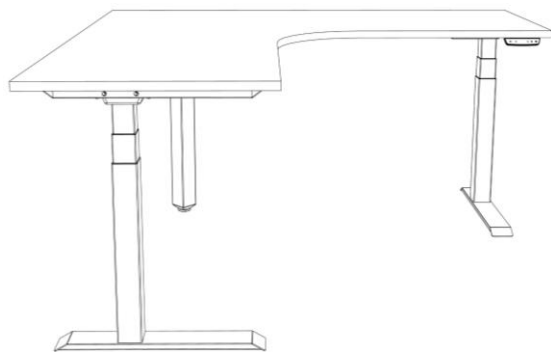
### TOP DIMENSIONS

120° Angle - 3 Leg Frame  
 VIS-3000  
 Extension beam required for 2000mm - 2400mm lengths



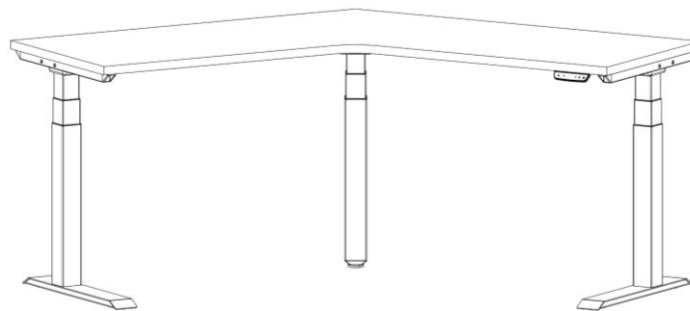
### TABLE CONFIGURATION

90° Angle - 3 Leg Frame

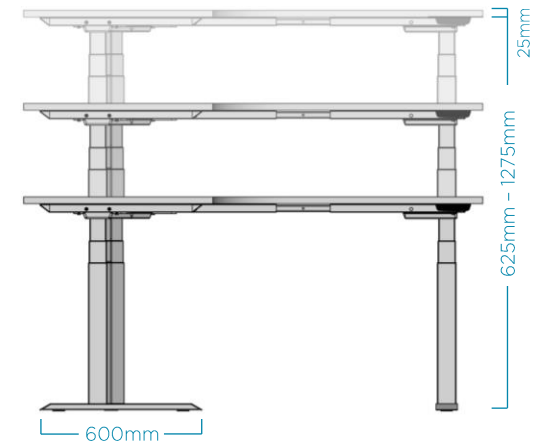


### TABLE CONFIGURATION

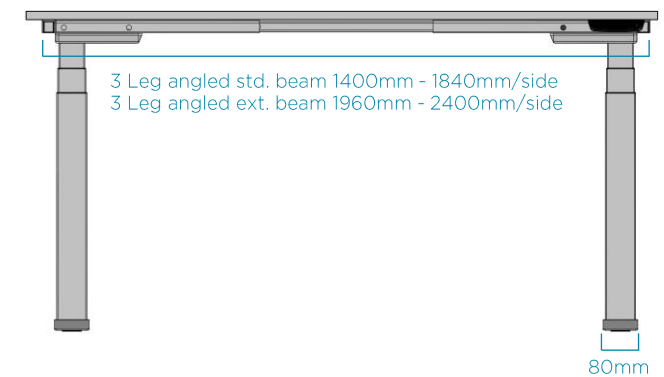
120° Angle - 3 Leg Frame



### HEIGHT RANGE



### FRAME DIMENSIONS



# VISION

## Electric B2B Workstation

Vision is an electric height adjustable system with a clean, modern silhouette, and quality manufacturing at a minimal budget. It encourages flexibility and movement within any workplace, utilising the latest sit-stand technology and personalised safety precautions.

Vision Back 2 Back is designed for fast installations and multiple wiring options, helped by a spacious, self-contained cable management system that attaches in seconds.

<i>PRODUCT TYPE</i>	Three Stage Electric Leg – One Motor per Leg
<i>CONFIGURATION</i>	180° B2B
<i>HEIGHT RANGE</i>	625mm – 1275mm (excluding worktop)
<i>TOP SIZE</i>	1500mm L x 750mm D 1800mm L x 800mm D
<i>FOOT TYPE</i>	Adjustable glides +/- 10mm
<i>CONTROLLER</i>	Programmable 4 height settings including; Container/shelf stop for custom min and max height Collision control with adjustable sensitivity Gyroscopic tilt sensor with adjustable sensitivity Desk lock, press and hold or press and forget settings
<i>TRAVEL SPEED   VOLUME</i>	36mm/second   <48dB
<i>WEIGHT CAPACITY</i>	2 Leg work point 120Kgs
<i>FINISH</i>	Charcoal Black, Pearl White
<i>WARRANTY</i>	Frame 10 years, Mechanics 10 years, Electrics 10 years

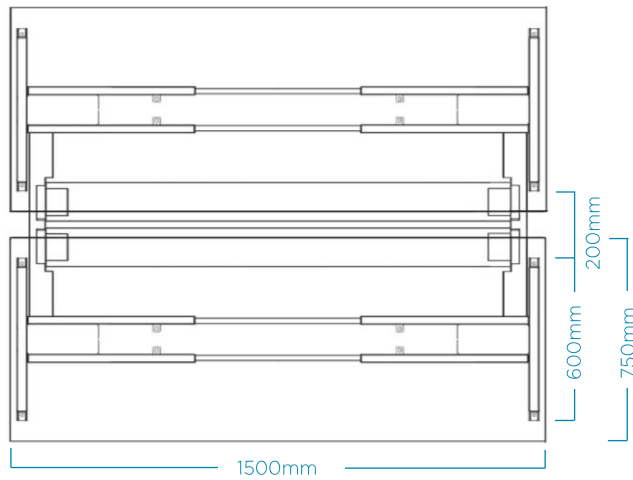


# VISION

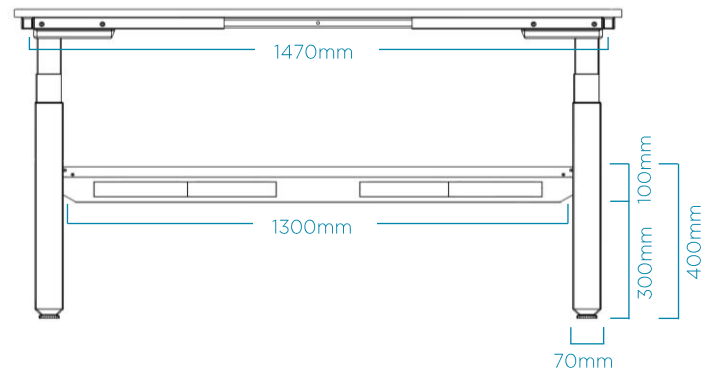
## Electric B2B Workstation 1500mm Long

### TOP DIMENSIONS

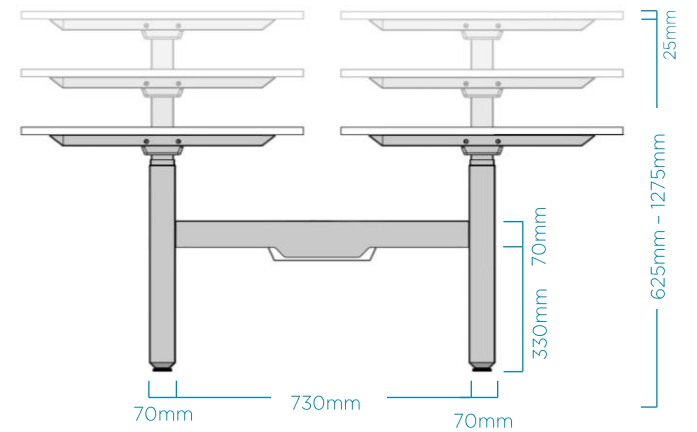
B2B 180° - 4 Leg Frame  
VIS-2500



### FRAME DIMENSIONS



### HEIGHT RANGE

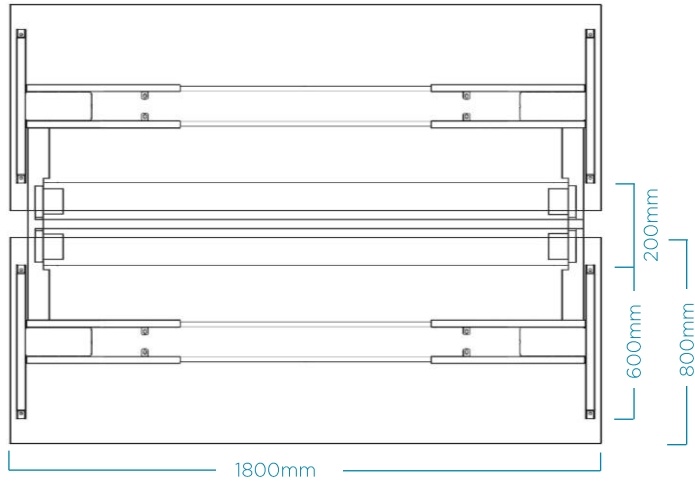


# VISION

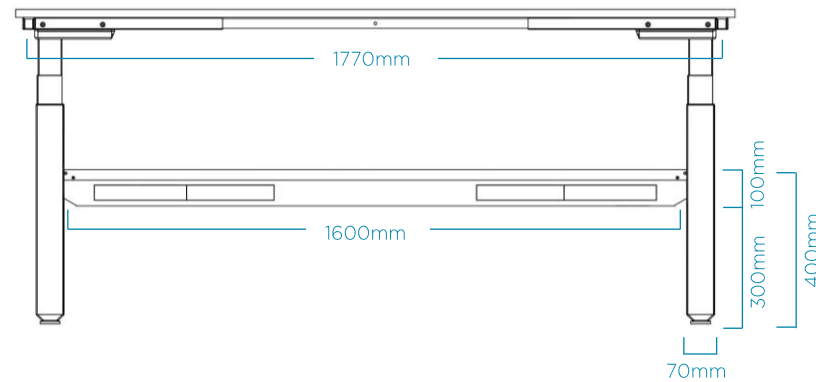
## Electric B2B Workstation 1800mm Long

### TOP DIMENSIONS

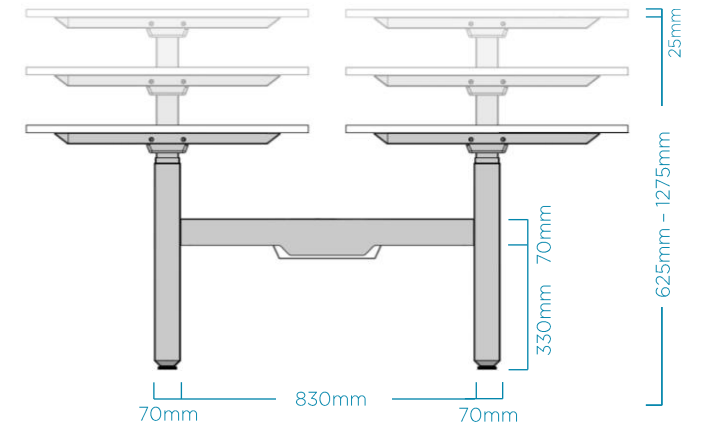
B2B 180° - 4 Leg Frame  
VIS-2800



### FRAME DIMENSIONS



### HEIGHT RANGE

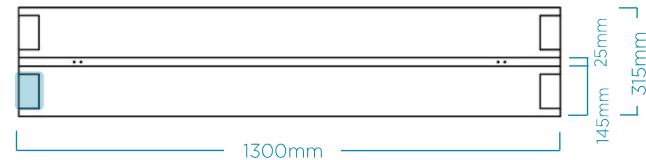


# VISION

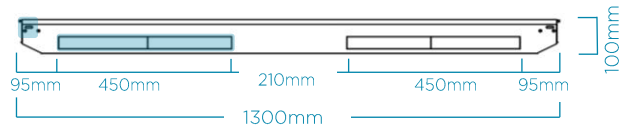
## Electric B2B Workstation

### CABLE MANAGEMENT

B2B 180° - 4 Leg Frame  
VIS-2500 | 1500mm



Lid punch-out for umbilical cord/power connection  
100mm x 60mm

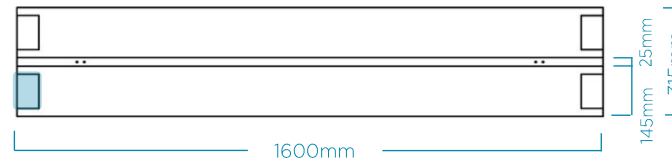


Hinge Locks  
drop-down side panel

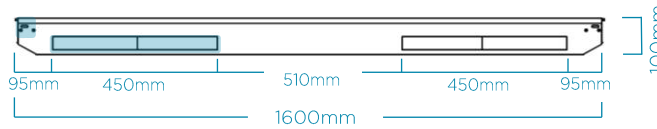
Tray punch-out for power/data fixing  
230mm x 45mm | 220mm x 45mm  
\*Suits CMS SW18 and Elsafe QikFIT  
GPO boards and data tiles

### CABLE MANAGEMENT

B2B 180° - 4 Leg Frame  
VIS-2800 | 1800mm



Lid punch-out for umbilical cord/power connection  
100mm x 60mm

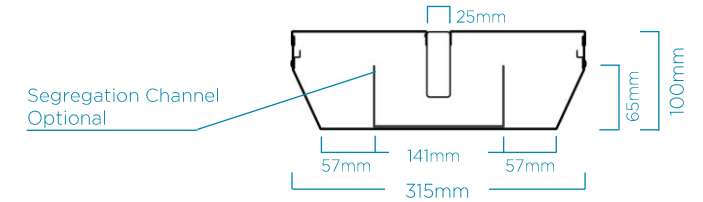


Hinge Locks  
drop-down side panel

Tray punch-out for power/data fixing  
230mm x 45mm | 220mm x 45mm  
\*Suits CMS SW18 and Elsafe QikFIT  
GPO boards and data tiles

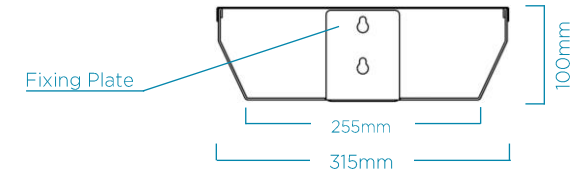
### TRAY INTERIOR

B2B 180° - 4 Leg Frame



### TRAY JOINER

\*Optional to connect B2B Systems  
Depth 180mm



### SCREEN BRACKETS

