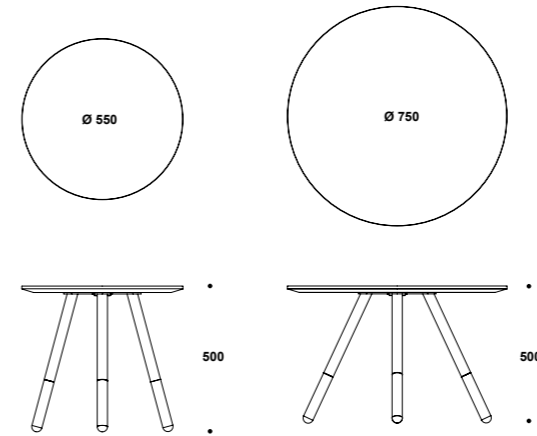


THIS PRODUCT IS GREAT FOR

- ✓ Working on your laptop
- ✓ Holding at least ten mojitos
- ✓ Combining with different types of seating



502 DAYWALKER

DESIGN BY IVAR GESTRANIUS & KEVIN LAHTINEN

Daywalker is a playful, yet stylish coffee table designed for environments such as break-out areas and lounges. The table comes in two sizes and can be combined with various types of sofas and armchairs. Choose between different table-leg colours to give the table an even more distinctive look. The big Daywalker table should easily hold at least 20 mojitos, a chainsaw and a small dog.

Materials used in the product:

Base: Lacquered tubular steel
Tabletop: Lacquered MDF or Oak
Legs: Lacquered tubular steel or Oak
Gliders: Injection moulded Polyethylene PE 100

Basic Colours & Finishes:

Table top in RAL 9003 (White) or RAL 9004 (Black)
Legs in RAL 9003 (White) or Legs in RAL 9004 (Black)
Base in RAL 9003 (White) or RAL 9004 (Black)

or

Table top in natural, white pigmented or black stained oak
Legs in natural, white pigmented or black stained oak
Base in RAL 9003 Effect (White) or RAL 9004 Effect (Black)

