



Butterfly Bench

The Butterfly bench extends the table range with a matching seating. This can be customised with colour staining and be upholstered in fabric, vinyl or leather to suit any interior.

Butterfly is Australian made and designed in an ISO 14001 certified factory.

LEAD TIME
6-8 weeks

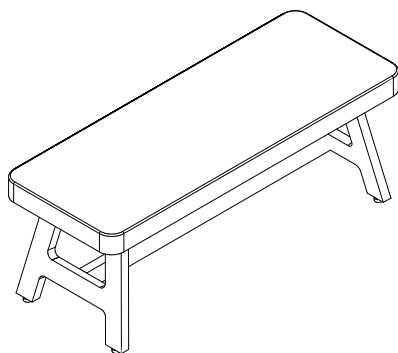
MATERIALS
50mm birch plywood
Commercial foam

CERTIFICATIONS
ISO 14001 Certified Factory

WARRANTY
5 years

Configurations

Bench



W1200mm x D450mm x H450mm