

# LuxStudio

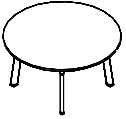
## Talki MAX Table



Australian made | ISO 14001 Certified | 4-6 week lead time

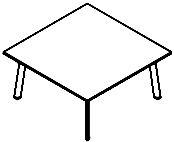
## Talki MAX Table Round Range

700mm-1900mm



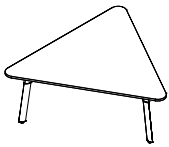
## Talki MAX Table Square Range

600mm-2000mm

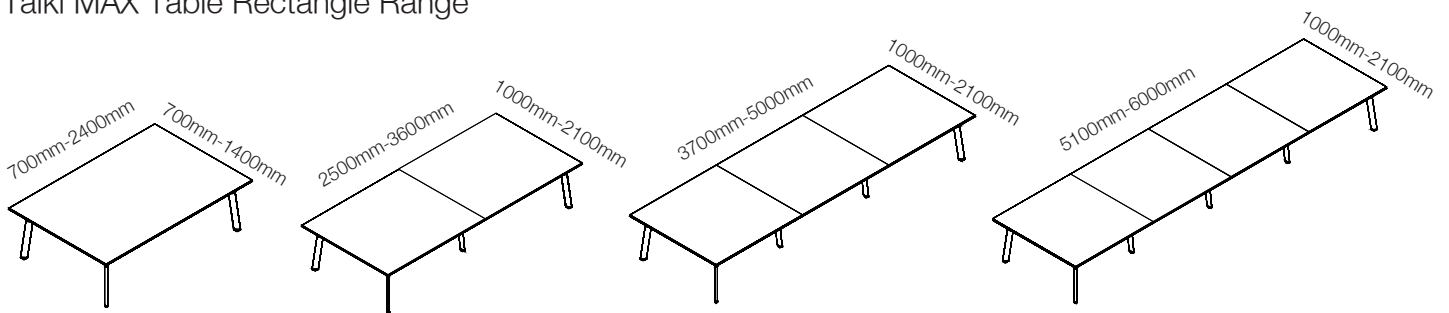


## Talki MAX Table Triangle/Lotus Range

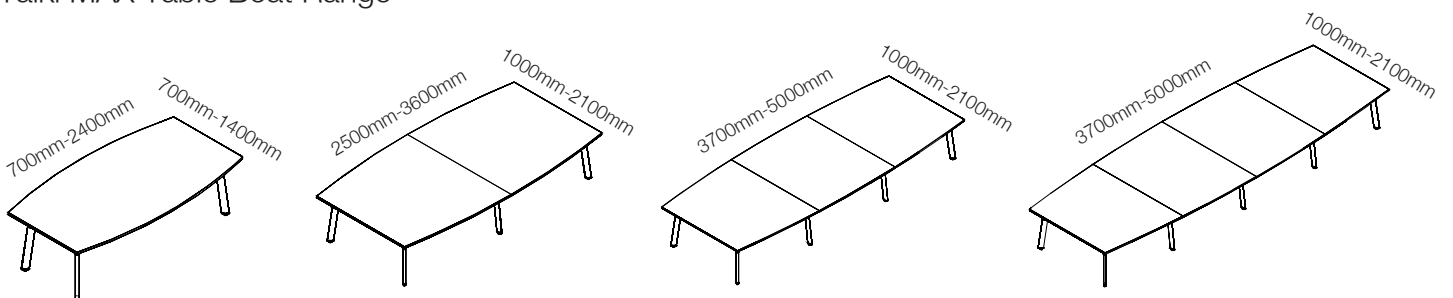
600mm-2000mm



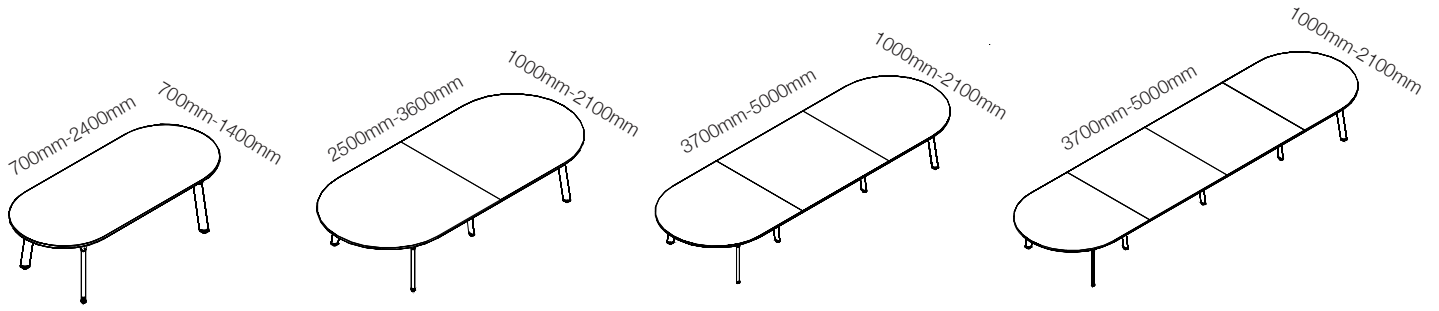
## Talki MAX Table Rectangle Range



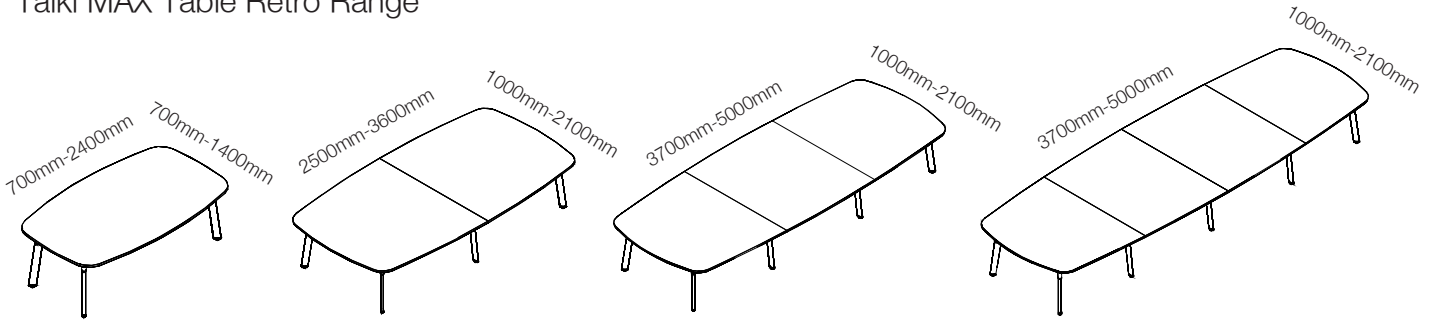
## Talki MAX Table Boat Range



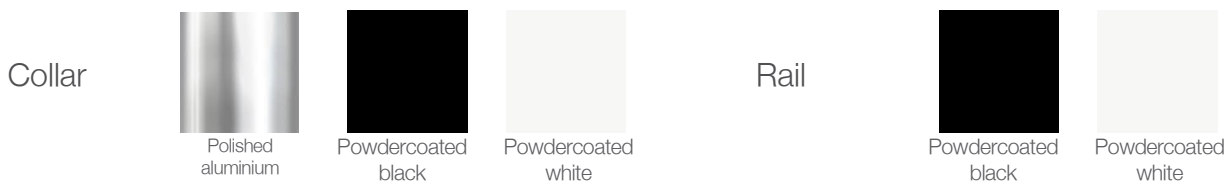
## Talki MAX Table Capsule Range



## Talki MAX Table Retro Range



## Collar and Structural Rail Finish Options



## Leg Finish Options



## Notes

We can offer different timber species. This is quoted as a special.



# Talki MAX Table

Talki MAX can accommodate taller height tables or when strength and stability is paramount. The collar comes as polished aluminium but can be powdercoated to match the legs. The legs are available in timber or powdercoated steel.

This product is Australian made and comes in a variety of sizes and finishes, and can accommodate recessed legs.

Available in 720mm, 900mm and 1050mm heights.

Material	Metal frame Aluminium collar Timber or metal legs
Lead time	4-6 weeks
Warranty	5 years
Certified	ISO 14001

