



Tambour Door Cabinet

Tambour Door Cabinets bring a modern aesthetic to this classic storage cabinet. Complete with flush door post with inset handles, this fully recyclable storage unit is an excellent addition to any modern office

Supplied by



1300 272 657
OLP.COM.AU

Key Features and Benefits

- Steelco Tambour Door Cabinets have been Blue Tick AFRDI approved, **Reference #16873/1**
- Environmentally friendly ABS slats
- Retractable doors that do not take up walkway or aisle space
- Includes internal adjustable levelling feet
- Barrel exchange locking system is fitted and comes with anti-bacterial keys
- Master key or 'keyed alike' available
- Shelves are adjustable in 32mm increments
- Up to 40kg shelf capacity uniformly distributed load (UDL)
- Quality powder coated finish
- 10-year warranty



Product Parameters

Code	Item Description	Dimensions (mm)
O2-200	Steelco Tambour Door Cabinet – 2 Shelves	1015H x 900W x 463D
O2-201	Steelco Tambour Door Cabinet – 2 Shelves	1015H x 1200W x 463D
O2-202	Steelco Tambour Door Cabinet – 3 Shelves	1200H x 900W x 463D
O2-203	Steelco Tambour Door Cabinet – 3 Shelves	1200H x 1200W x 463D
O2-204	Steelco Tambour Door Cabinet – 3 Shelves	1320H x 900W x 463D
O2-205	Steelco Tambour Door Cabinet – 3 Shelves	1320H x 1200W x 463D
O2-206	Steelco Tambour Door Cabinet – 5 Shelves	2000H x 900W x 463D
O2-207	Steelco Tambour Door Cabinet – 5 Shelves	2000H x 1200W x 463D

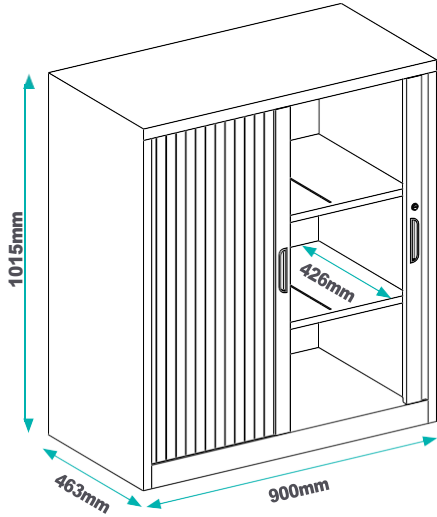
Customisation

We pride ourselves on delivering products to our customers that meet their specific requirements. As a result of our manufacturing capabilities, if you're looking for a custom size, colour or product, chances are we can do it!

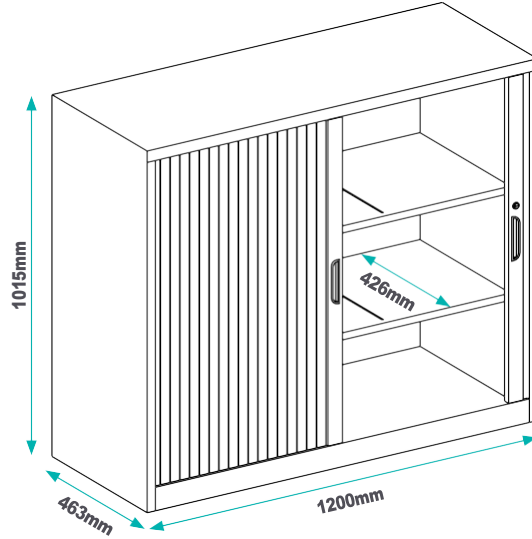
Contact your local sales representative for more information.



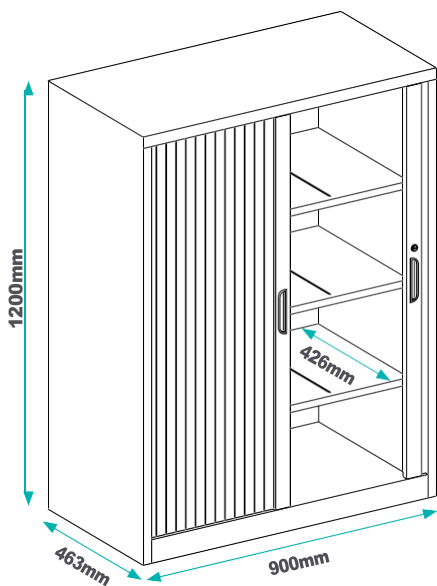
Dimensions



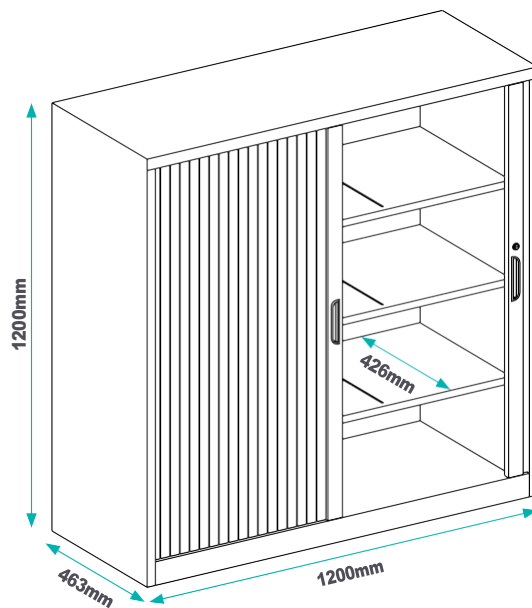
2 Shelves – 900mm Wide



2 Shelves – 1200mm Wide



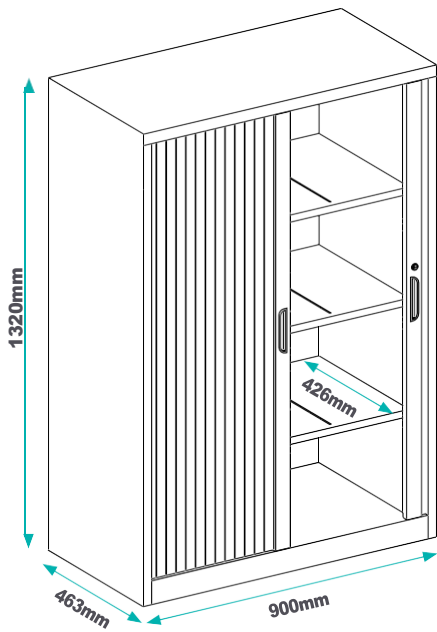
3 Shelves – 900mm Wide



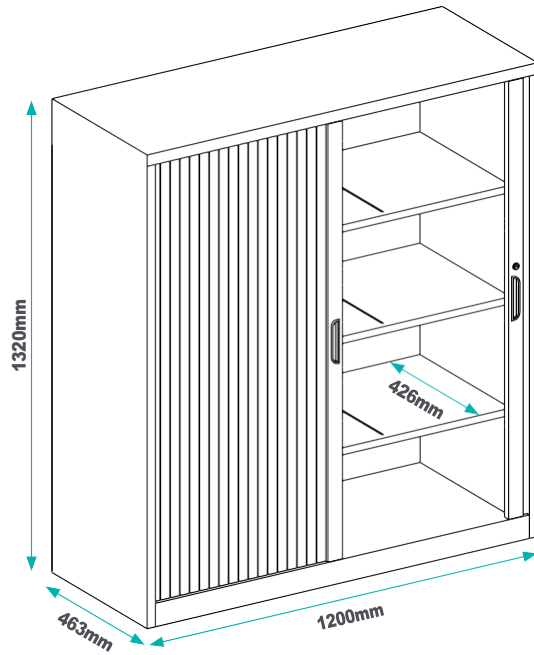
3 Shelves – 1200mm Wide

Manufacturing tolerance: $\pm 2\text{mm}$

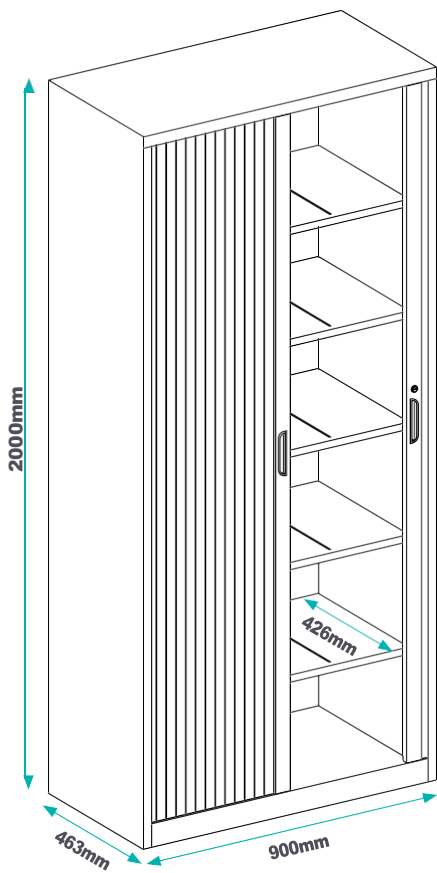
Dimensions



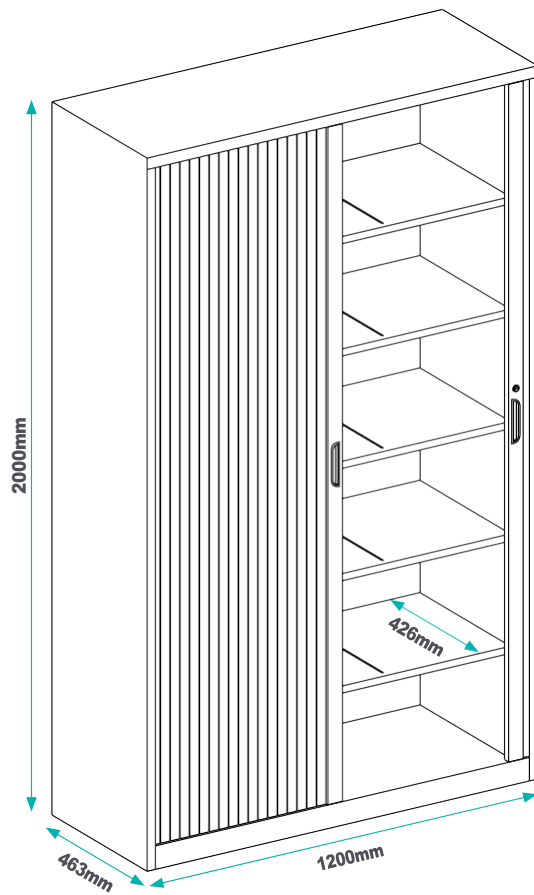
3 Shelves – 900mm Wide



3 Shelves – 1200mm Wide



5 Shelves – 900mm Wide



5 Shelves – 1200mm Wide

Manufacturing tolerance: $\pm 2\text{mm}$

Stock Colours

We provide a comprehensive range of robust steel products to suit the demanding conditions of any environment. Our steel products are designed and manufactured to the highest standards and are available in a variety of powder coated finishes.

For Dulux, Interpon or RAL colours, please contact your local sales representative.



White Satin



Silver Grey



Black Satin

Custom Colours (POA, MOQ and lead time applies)



Satin Silver



Graphite Ripple



Light Grey



Grey



Dark Grey



Beige



Blaze Blue



Oxford Blue



Lawn Green



Signal Red



Orange



Dark Yellow



Lemon Yellow



Custom

Accessories

Wire File Rack

Wire File Racks supports and organises files that are too slim to stand on their own.

Pull-Out File Frame

The Pull-Out File Frame allows for easy access to hanging files, making document retrieval quick and efficient. Its smooth sliding mechanism ensures seamless operation, even under heavy use.

Pull-Out Reference Shelf

The Pull-Out Reference Shelf provides a convenient surface for viewing documents, laptops, or binders directly from the cabinet. It tucks away neatly when not in use, maximising space without sacrificing functionality.

Plastic Parts Bins

Plastic Parts Bins are ideal for organising small components, tools, or supplies within the cabinet. Made from durable plastic, they offer long-lasting utility and quick visibility of stored items.

Shelf Dividers

Shelf Dividers help separate and categorise contents on each shelf, reducing clutter and improving accessibility. They are adjustable, allowing for flexible configurations to suit different storage needs. Available in black satin only.

Additional Shelves

Additional Shelves are available for additional storage surfaces and unique configurations to suite your storage needs.

Hanging Rail

Hanging Rail are available to install into the cabinet for hanging storage.

Castor Set

Castor Sets are available for cabinets up to 1200H. Castor sets require additional brackets.

Planter Box

Planter Box is ideal for adding plants into your environment. Each planter box comes with plastic drip trays to catch dirt and water to keep your cabinet clean.

Code	Description	Dimensions
02-211	Steelco Tambour Planter Box with 3 Pot Holes	225H x 900W x 463D
02-212	Steelco Tambour Planter Box with 4 Pot Holes	225H x 1200W x 463D

For more details on the available accessories, please contact your local sales representative.

Certifications and Sustainability Features



AFRDI Blue Tick – Product Durability & Ergonomics

This product has been awarded the AFRDI Blue Tick Certification in reference to the product's performance, function and safety tests, coupled with an evaluation of the quality and finish of a representative sample of the product. **Certificate No. #16873/1**



Made with ABS Plastic

ABS plastic (Acrylonitrile Butadiene Styrene) combines strength, impact resistance, and lightweight versatility, making it ideal for durable, long-lasting products. It is recyclable and supports sustainable manufacturing by reducing waste and extending product life cycles. Its durability also lessens the need for frequent replacements, contributing to lower environmental impact over time.



Manufactured for Disassembly

This product has been designed for disassembly which allows it to be easily taken apart at end-of-life for reuse, repair, or recycling. This innovative design philosophy not only prolongs product usability but also simplifies waste diversion, lowers environmental impact, and reflects modern principles of circular design.



VOC-Free Materials

Volatile Organic Compounds (VOCs) in this product is below the emission rate limit set by the Green Building Council of Australia. VOC-free products improve indoor air quality, supporting healthier work environments.



100% Recyclable Steel

This product uses steel that is 100% recyclable at the end of its lifespan. Every steel component can be processed through recycling systems to be reused. This reduces landfill waste and supports clients in meeting green building and environmental certification targets.



Made from up to 20% Recycled Steel

This product is manufactured using steel that contains up to 20% recycled content. This reduces demand for virgin materials, lowers carbon emissions associated with steel production, and supports the circular economy, all without sacrificing structural integrity or product performance.



Australian Trusted Trader

OLP is an accredited Australian Trusted Trader, recognised by the Australian Government for our secure and compliant international trade operations. This accreditation signifies our commitment to ethical sourcing, customs compliance, and risk management allowing us to build stronger partnerships and deliver more efficient, transparent supply chains.



APCO

OLP is a member of the Australian Packaging Covenant Organisation. OLP is committed to reducing the environmental impact of our packaging. We use packaging that prioritises recyclability, and avoids excess plastic and other materials.



Sedex

OLP is a registered supplier in the Sedex Ethical Sourcing Platform. OLP is committed to improving ethical, social and environmental standards at every step of our supply chain. **Reference No. ZC1011847**



ISO 9001:2015 – Quality Management System

OLP has a Quality Management System (QMS) that focuses on continuous improvement in customer service to our clients, including the delivery of quality products and services that are manufactured and provided to the highest industry standards. By following our QMS we are able to control the quality of all products that we distribute regardless if they are custom one-offs or our standard range.



ISO 14001:2015 – Environmental Management System

OLP's Environmental Management System (EMS) gives us the ability to identify better allocations of our "resource, waste and energy management" minimising our environmental footprint. The focus on providing an eco-friendly environment has significantly reduced our environmental impact and subsequently our entire networks impact, with the hope that it continues to reduce going forward into the future.



ISO 45001:2018 – Occupational Health & Safety

OLP has adopted international best practices in our systematic approach to health and safety management, by focusing on a proactive approach rather than reactive controls. From this structure it is easy to see that OLP has a rigorous OHS policy and management system in place to protect the health and safety of our employees and visitors at all OLP facilities and sites.



Product Stewardship

OLP embraces product stewardship by taking responsibility for the entire lifecycle of our products, from design and manufacturing to use and end-of-life. We implement take-back schemes, offer recycling support, and partner with industry programmes to ensure products are disposed of sustainably. This commitment reduces landfill waste and promotes responsible resource use.



Customer satisfaction is an imperative component of the comprehensive service that OLP provides. OLP strives to meet objectives and deliver products and services to meet our customer's needs.

OLP also endeavours to provide a better product and ongoing service, to do this we follow our ISO 9001:2015 certified quality management system.

Business Development Managers

We are represented in every state of Australia and New Zealand. If you wish to get in touch with us, please contact your local sales representative.

www.olp.com.au/contact



© Copyright 2025 | All rights reserved

Due to our policy of continuous product development, information in this document may be subject to change without notification.

Version 2025_2