



## TECHNICAL SPECIFICATION SHEET



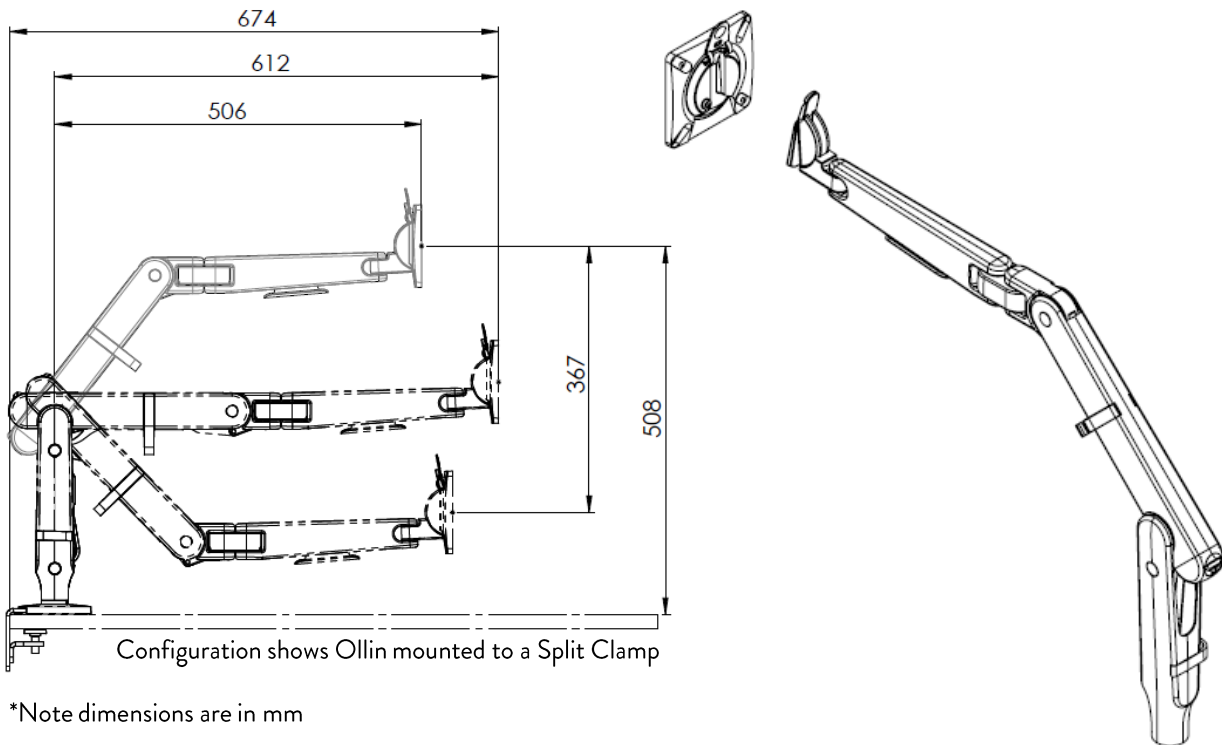
**PRODUCT NAME:** Ollin Dynamic Monitor Arm

**PRODUCT CODE:** OLN/009/010

Doc Rev 2.

Product Rev #A

17.02.2017 KO



### KEY FEATURES

- Articulation range and smoothness of motion is best in class.
- Supports 0kg to 9kg load range, ideal for mounting lighter technology, e.g. slim & lightweight monitors, tablets, laptops, hybrids, etc.
- Powered by innovative 'Technical Cord' system (rather than a spring or gas strut.)
- Easy 'tool-free' adjustment by means of an integral 'thumbwheel' adjuster. (An allen key tool can also be used if preferred.)
- Indicator window displays weight setting to speed multiple installations.
- Reconfigurable 180° stop (to prevent clash with rear mounted furniture panels.)
- 3 point cable management guides cables tidily from monitor to desktop.
- Also available: A range of interchangeable front-end accessories to tailor the function of the arm, including: Dual Screen Mount Bar, Tablet Mount, Laptop Mount.

<b>Product Classification:</b>	Monitor Arm
<b>Mounted Load Range:</b>	0kg to 9kg. (0lbs to 20lbs.)
<b>Horizontal Range:</b>	674mm
<b>Vertical Motion Range:</b>	367mm
<b>Tilt Range:</b>	+80° / -10°
<b>Recycled content:</b>	65%
<b>Total product recyclable:</b>	99.5%

## LOGISTICAL

---

<b>Box contains</b>	Ollin arm, VESA mount plate & VESA fixing screws, optional security screw, cable management clip, optional adjuster cover, 4mm allen key.
<b>Product net weight:</b>	2.35 kg
<b>Box dims:</b>	385mm x 365mm x 100mm*
<b>Box gross weight</b>	3kg
<b>Carton quantity</b>	6 pcs
<b>Master carton dims:</b>	555mm x 375mm x 310mm*
<b>Master carton weight:</b>	19kg*
<b>Pallet quantity:</b>	72pcs (12 cartons)*
<b>Pallet weight:</b>	247kg*
<b>Country of origin</b>	China
<b>Country of configuration</b>	UK

Note\*: Some logistical data is estimated and subject to future confirmation.

## ORDERING INFORMATION

---

<u>Product Description</u>	<u>Product code</u>	<u>Colour</u>
Ollin Dynamic Monitor Arm	OLN/009/010	/S: Silver or /W: White or /B: Black

## WARRANTY

---

<b>Warranty Term</b>	Limited lifetime
----------------------	------------------

## COMPLIANCE & SAFETY CERTIFICATION

---

Whilst no mandatory standards apply to the monitor arm product sector, all Colebrook Bosson Saunders monitor arms have been designed with appropriate articulation features, dimensional range and adjustability to conform to the requirements of BS EN ISO 9241:5 1999 Ergonomic requirements for office work with visual display terminals (VDTs).

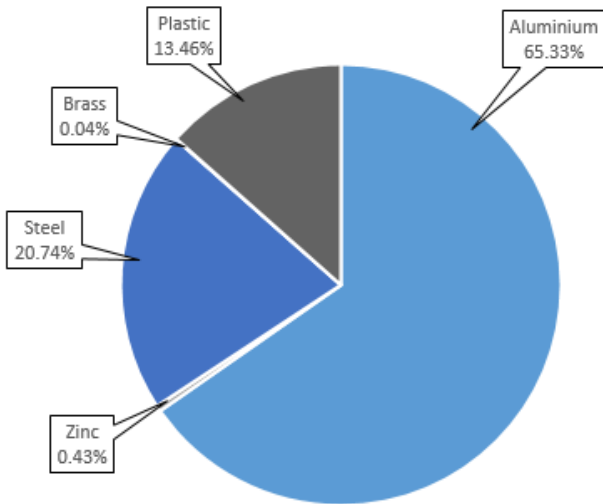
<b>Conformance certification</b>	N/A
<b>Test authority</b>	CBS
<b>Safety certification</b>	N/A

## ENVIRONMENTAL

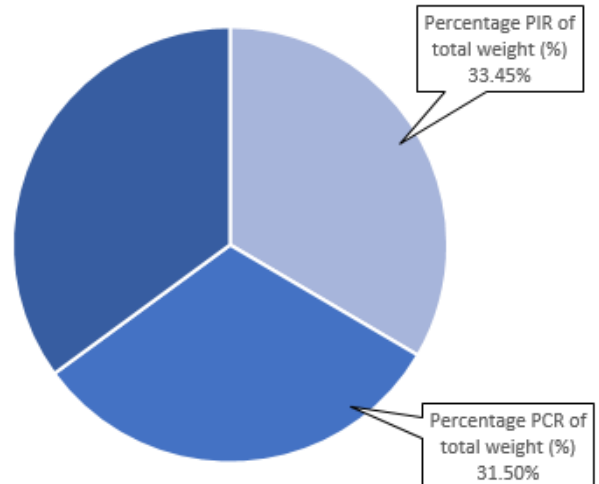
Material Make-up			Total Recycled Content	Breakdown of Recycled Content		Total Recyclable	
Overall Product			Overall Product			Overall Product	
Material type	Total Material type weight (g)	Percentage of Total Product Weight (%)	Material-Type Recycled Content (%)	Percentage PIR of total weight (%)	Percentage PCR of total weight (%)	Total Product Recyclable (g)	Total Product Recyclable (%)
Aluminium	1534	65.33%	62.07%	32.89%	29.17%	1534	65.33%
Zinc	10	0.43%	0.19%	0.09%	0.09%	10	0.43%
Steel	487	20.74%	2.70%	0.46%	2.24%	487	20.74%
Brass	1	0.04%	0.00%	0.00%	0.00%	1	0.04%
Plastic	316	13.46%	0.00%	0.00%	0.00%	304	12.96%
<b>Total</b>	<b>2348</b>	<b>100.00%</b>	<b>64.95%</b>	<b>33.45%</b>	<b>31.50%</b>	<b>2336</b>	<b>99.51%</b>

PIR = Post Industrial Recycled  
PCR = Post Consumer Recycled

Total Product Weight (%)



Total Product Recycled Content (%)



## CLEANING, STORAGE & MAINTENANCE

### Routine servicing

Periodic inspection

### Service components

Available to order

### Cleaning & Maintenance

Damp cloth, no abrasives, no solvents to be used on the cosmetic surfaces

### Handling & Storage

Do not drop or expose to moisture

While every effort is made to ensure the accuracy of our technical information, Colebrook Bosson Saunders (Products) Ltd accept no liability for the accuracy of the information contained in this document and reserve the right to modify the specifications or data contained herein without prior notification.