



Diva 1.1

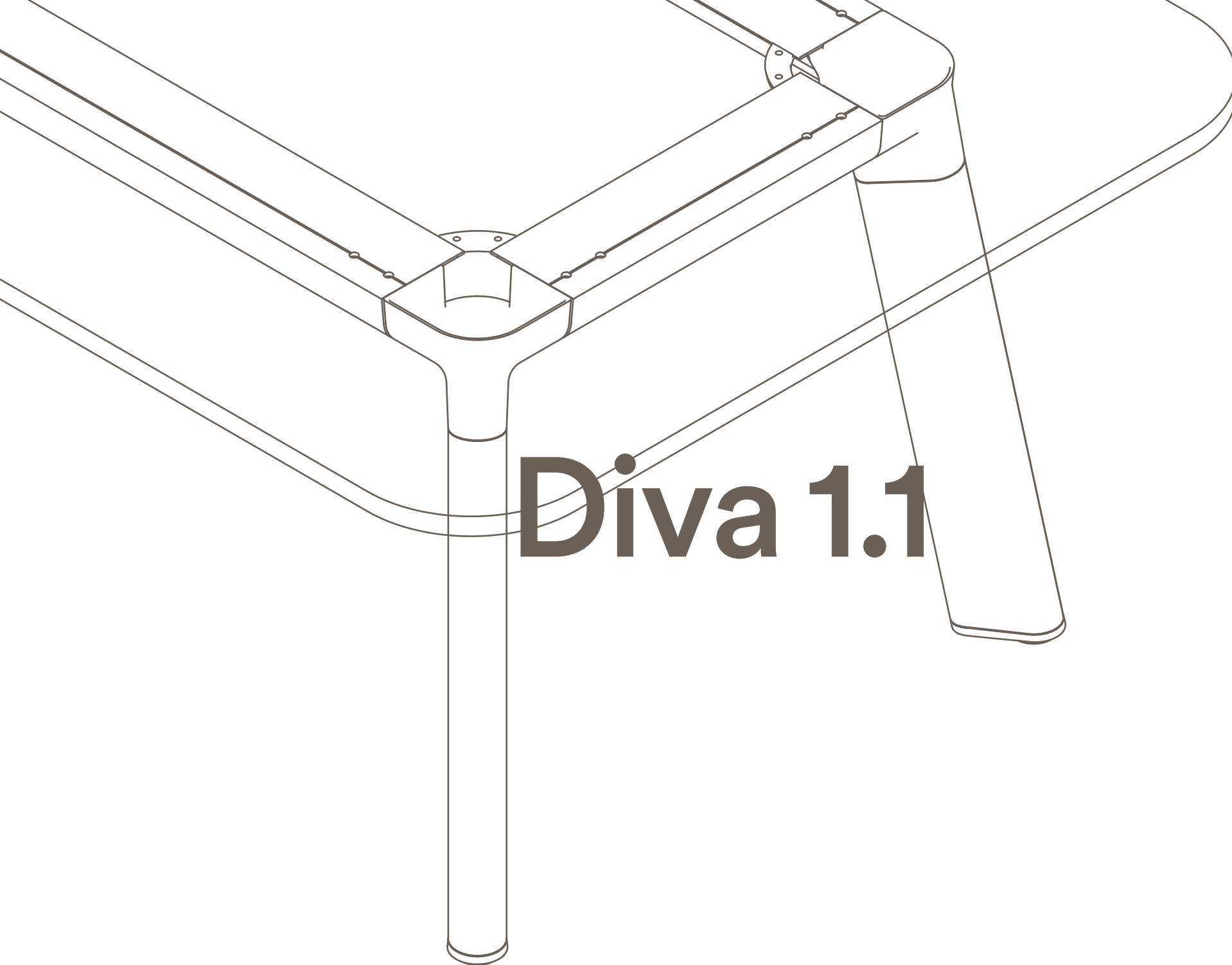


Specification Guide

Diva 1.1

There's more than meets the eye.

Go beyond the striking wooden exterior and discover a host of ingenious design elements, each cleverly concealed within the solid timber build and die cast aluminium features.



Diva 1.1

Diva 1.1 Finishes

Commanding attention yet yielding to workplace practicalities, Diva 1.1 blends style and substance with ease, offering a range of finishes and configurations to suit any office space.

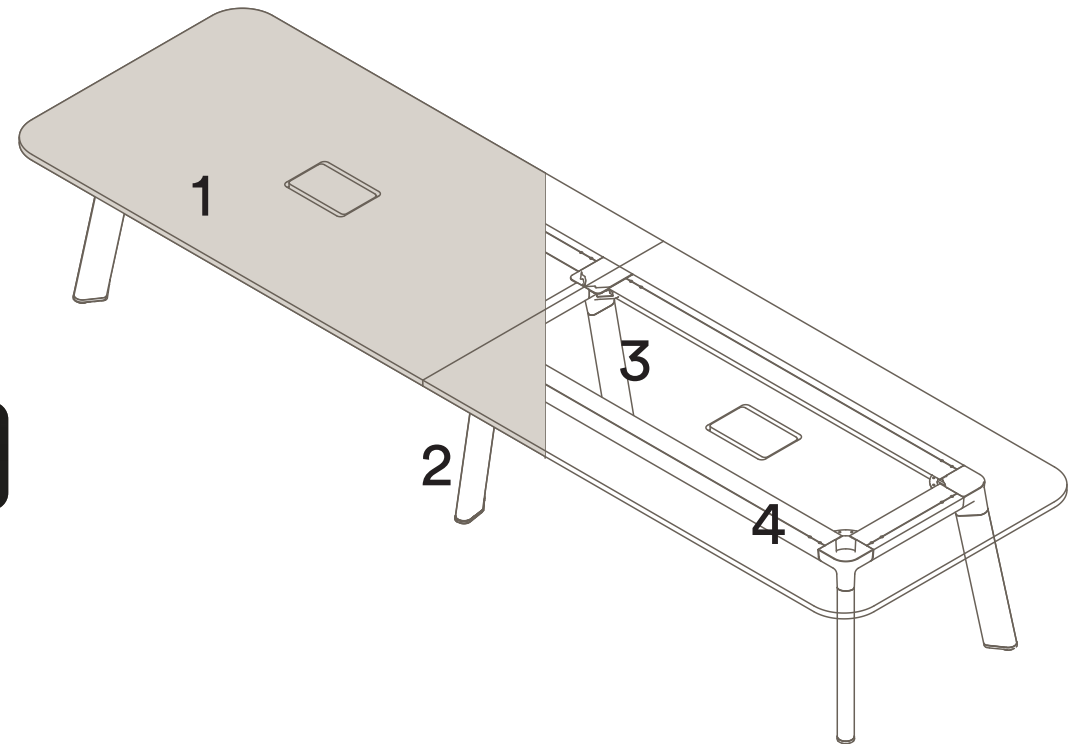
1. Legs

Diva 1.1 legs are made from Timber. Ash comes as standard. We offer premium finishes of Solid Walnut and solid colour with exposed timber grain in Black or White.



2. Frame Finishes

Diva 1.1 aluminium frame is available in our current season powdercoat colours listed. Custom colours are also available.



Colours are representative only, please check with your Thinking Works consultant to view samples of any specific colour.

Tables Round

Materials Information

Legs

Timber Legs

- a. Ash - Standard
- b. Walnut
- c. Black solid colour with timber grain
- d. White solid colour with timber grain

Frame Finish

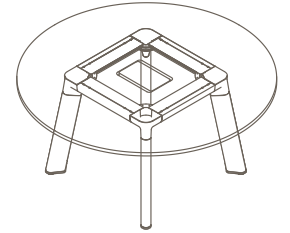
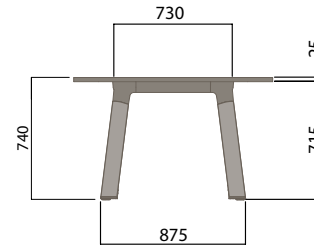
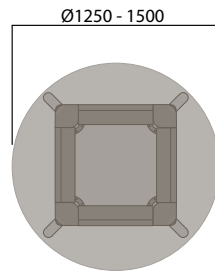
Aluminium Frame

- a. Blanc
- b. Noir
- c. Double Cream
- d. Pink Salt
- e. Nocturnelle
- f. Morello
- g. Scotland Sky
- h. Green Smoke
- i. Moonshine
- j. Byron Blue
- k. Axel

Maximum inc. worktop 80kg
 Maximum Point Load 50kg
 Seats 2-6

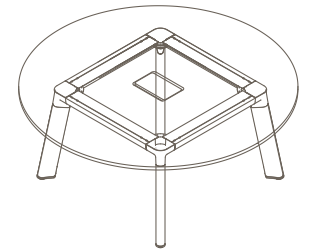
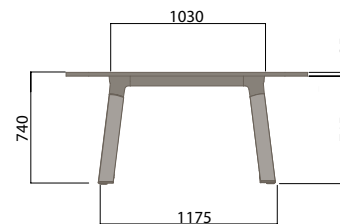
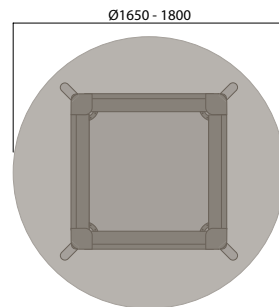
4 Leg Small

740 (standard height)



4 Leg Large

740 (standard height)



Tables Round

Materials Information

Legs

Timber Legs

- a. Ash - Standard
- b. Walnut
- c. Black solid colour with timber grain
- d. White solid colour with timber grain

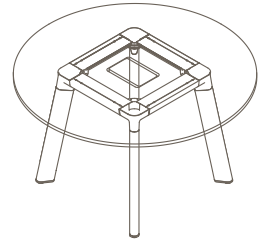
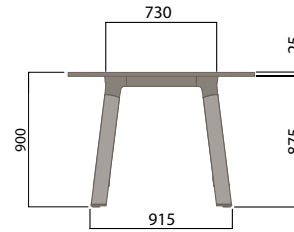
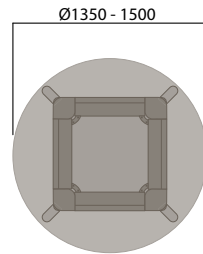
Frame Finish

Aluminium Frame

- a. Blanc
- b. Noir
- c. Double Cream
- d. Pink Salt
- e. Nocturnelle
- f. Morello
- g. Scotland Sky
- h. Green Smoke
- i. Moonshine
- j. Byron Blue
- k. Axel

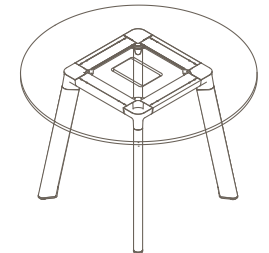
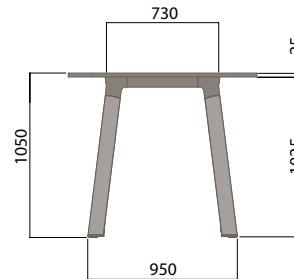
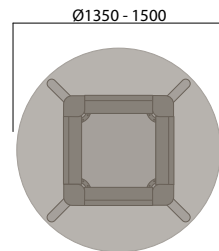
4 Leg Small

900 (benching height)



4 Leg Small

1050 (standing height)



Maximum inc. worktop 80kg
 Maximum Point Load 50kg
 Seats 2-6

Tables Square

Materials Information

Legs

Timber Legs

- a. Ash - Standard
- b. Walnut
- c. Black solid colour with timber grain
- d. White solid colour with timber grain

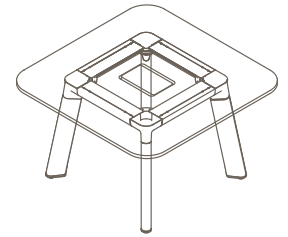
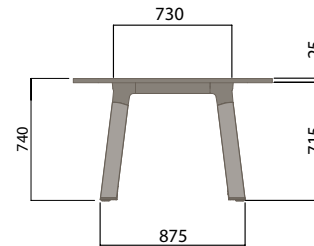
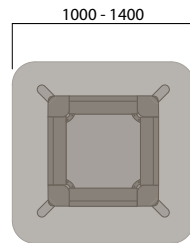
Frame Finish

Aluminium Frame

- a. Blanc
- b. Noir
- c. Double Cream
- d. Pink Salt
- e. Nocturnelle
- f. Morello
- g. Scotland Sky
- h. Green Smoke
- i. Moonshine
- j. Byron Blue
- k. Axel

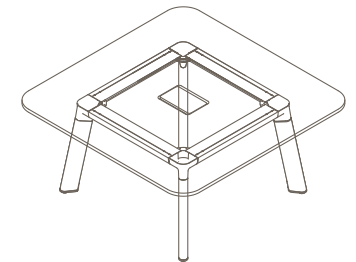
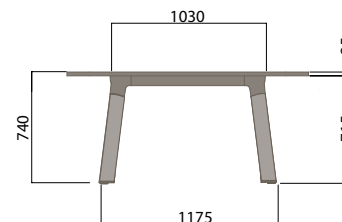
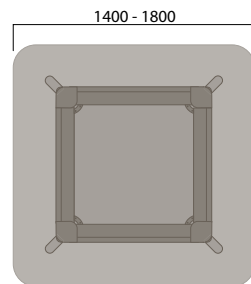
4 Leg Small

740 (standard height)



4 Leg Large

740 (standard height)



Maximum inc. worktop 80kg
Maximum Point Load 50kg
Seats 2-6

Tables Square

Materials Information

Legs

Timber Legs

- a. Ash - Standard
- b. Walnut
- c. Black solid colour with timber grain
- d. White solid colour with timber grain

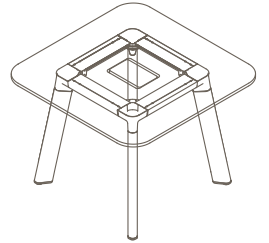
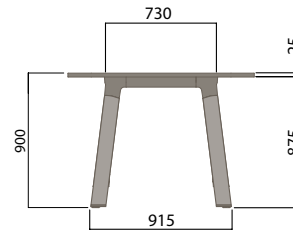
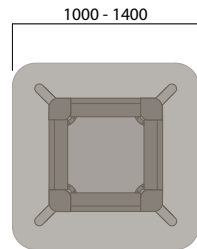
Frame Finish

Aluminium Frame

- a. Blanc
- b. Noir
- c. Double Cream
- d. Pink Salt
- e. Nocturnelle
- f. Morello
- g. Scotland Sky
- h. Green Smoke
- i. Moonshine
- j. Byron Blue
- k. Axel

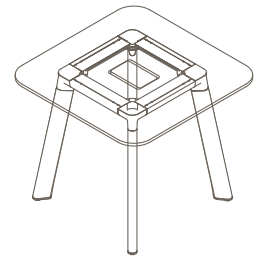
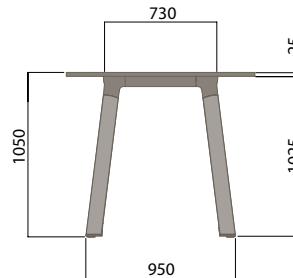
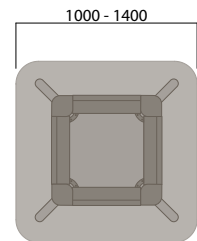
4 Leg Small

900 (benching height)



4 Leg Small

1050 (standing height)



Maximum inc. worktop 80kg
Maximum Point Load 50kg
Seats 2-6

Tables

Rectangle

Materials Information

Legs

Timber Legs

- a. Ash - Standard
- b. Walnut
- c. Black solid colour with timber grain
- d. White solid colour with timber grain

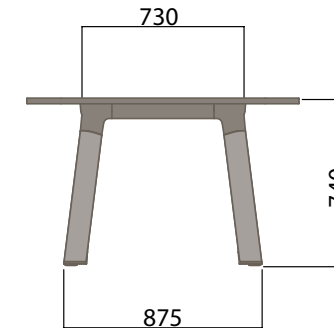
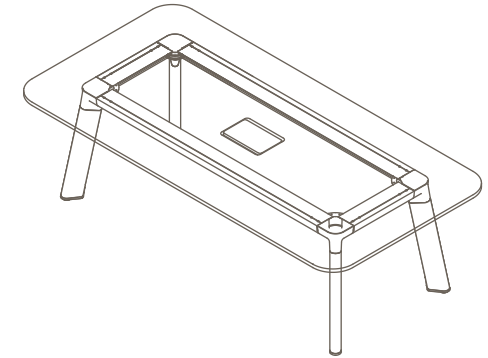
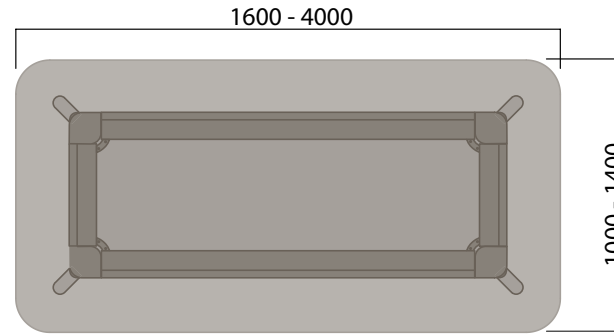
Frame Finish

Aluminium Frame

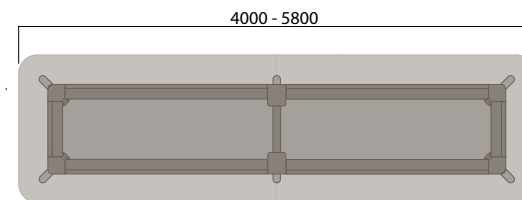
- a. Blanc
- b. Noir
- c. Double Cream
- d. Pink Salt
- e. Nocturnelle
- f. Morello
- g. Scotland Sky
- h. Green Smoke
- i. Moonshine
- j. Byron Blue
- k. Axel

4 Leg Narrow

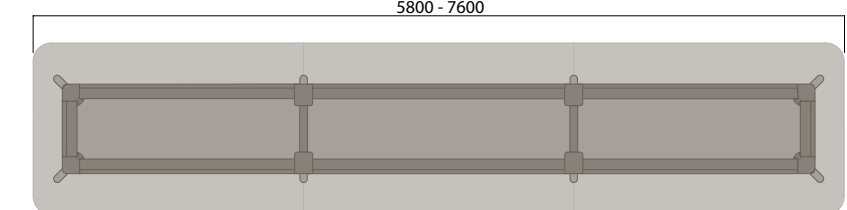
740 (standard height)



6 Leg Narrow



8 Leg Narrow



Maximum inc. worktop 160kg
 Maximum Point Load 50kg
 Seats 4-22

Tables

Rectangle

Materials Information

Legs

Timber Legs

- a. Ash - Standard
- b. Walnut
- c. Black solid colour with timber grain
- d. White solid colour with timber grain

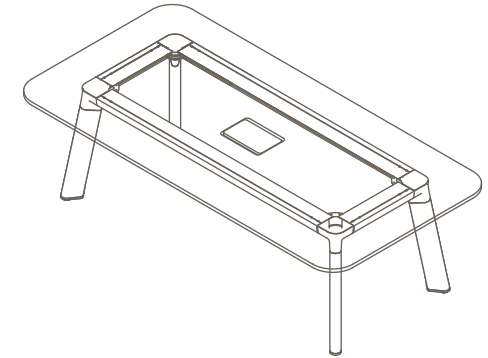
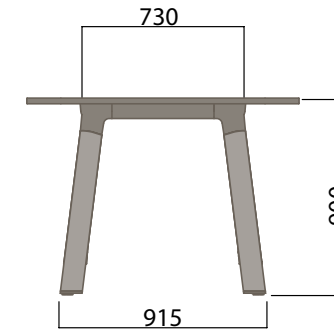
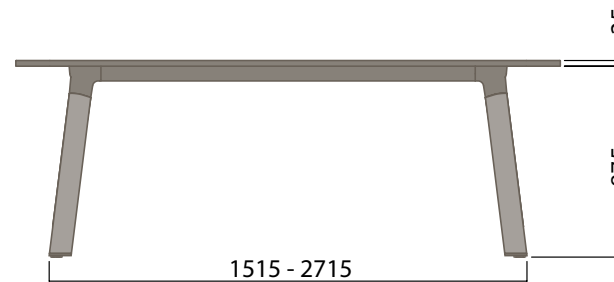
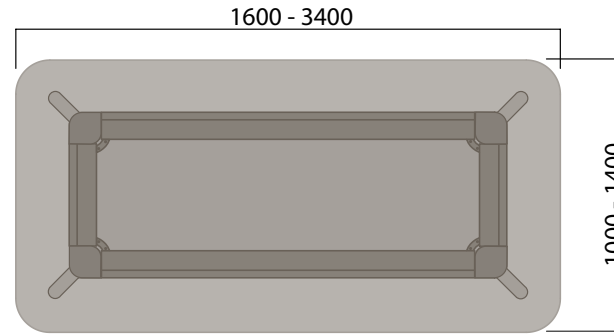
Frame Finish

Aluminium Frame

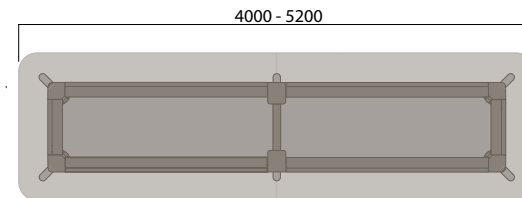
- a. Blanc
- b. Noir
- c. Double Cream
- d. Pink Salt
- e. Nocturnelle
- f. Morello
- g. Scotland Sky
- h. Green Smoke
- i. Moonshine
- j. Byron Blue
- k. Axel

4 Leg Narrow

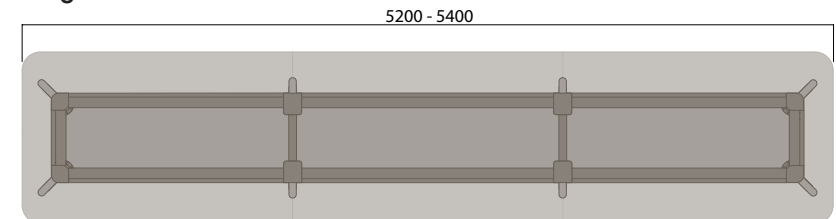
900 (benching height)



6 Leg Narrow



8 Leg Narrow



Maximum inc. worktop 160kg
 Maximum Point Load 50kg
 Seats 4-22

Tables

Rectangle

Materials Information

Legs

Timber Legs

- a. Ash - Standard
- b. Walnut
- c. Black solid colour with timber grain
- d. White solid colour with timber grain

Frame Finish

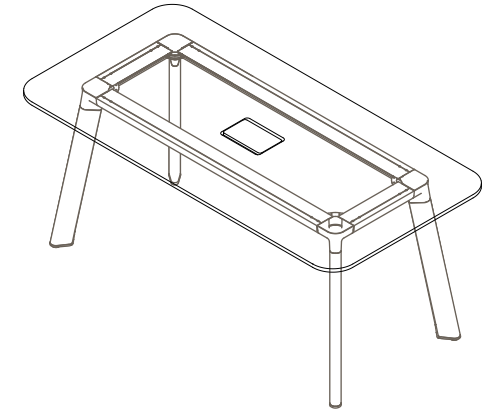
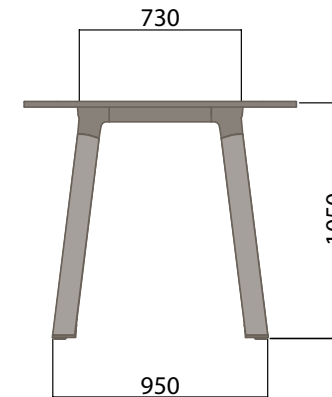
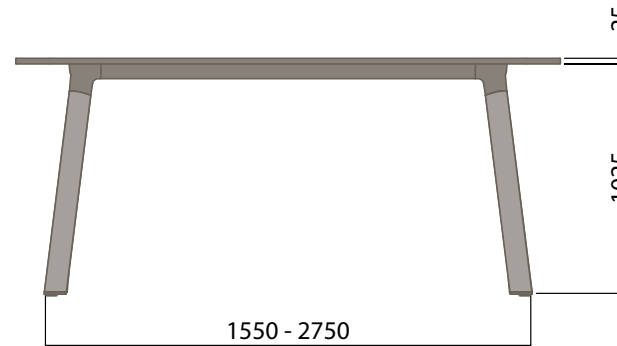
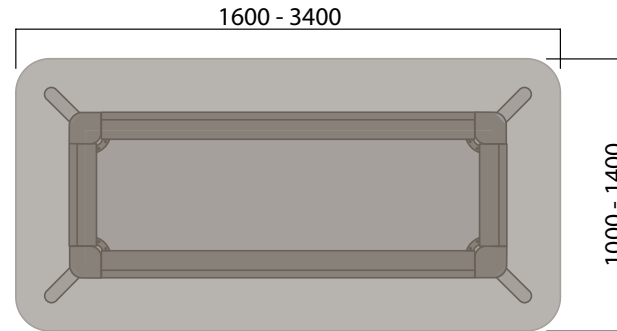
Aluminium Frame

- a. Blanc
- b. Noir
- c. Double Cream
- d. Pink Salt
- e. Nocturnelle
- f. Morello
- g. Scotland Sky
- h. Green Smoke
- i. Moonshine
- j. Byron Blue
- k. Axel

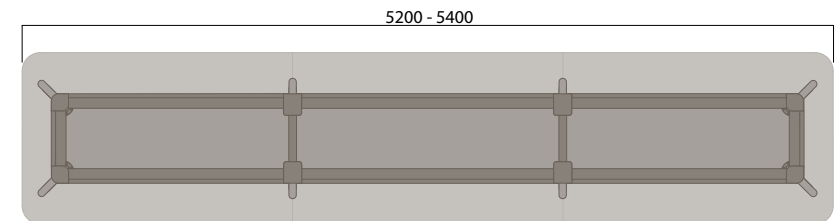
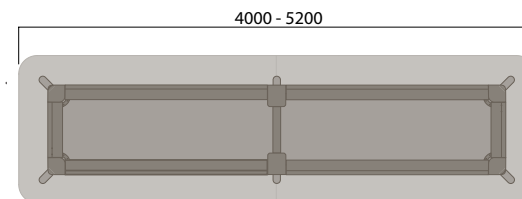
Maximum inc. worktop 160kg
 Maximum Point Load 50kg
 Seats 4-22

4-Leg Narrow

1050 (standing height)



6-Leg Narrow



Tables

Rectangle

Materials Information

Legs

Timber Legs

- a. Ash - Standard
- b. Walnut
- c. Black solid colour with timber grain
- d. White solid colour with timber grain

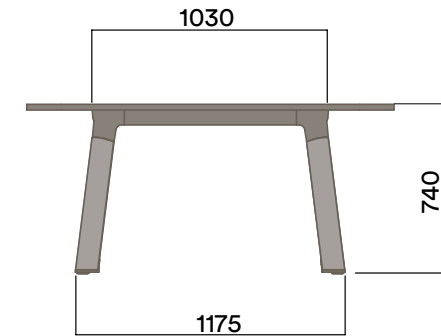
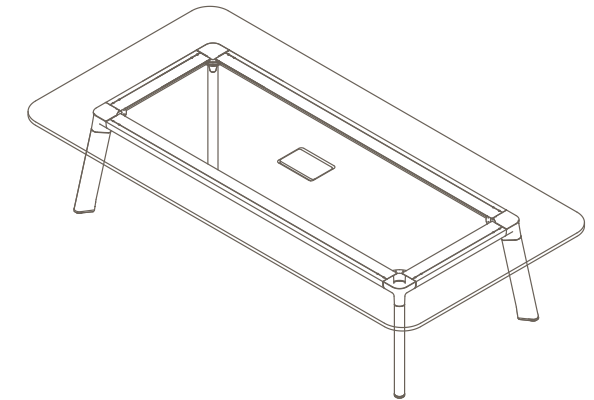
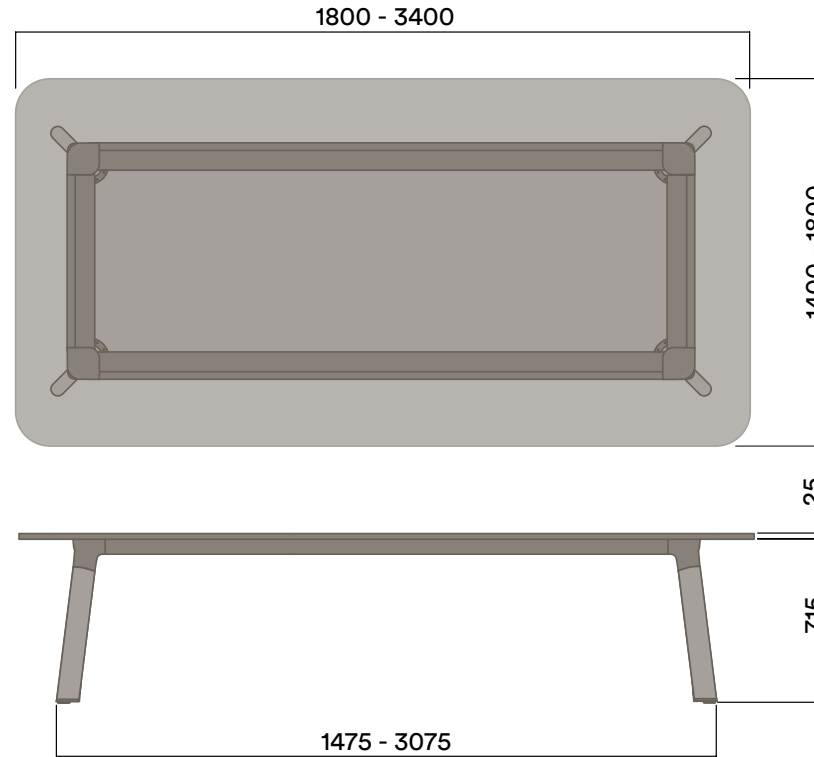
Frame Finish

Aluminium Frame

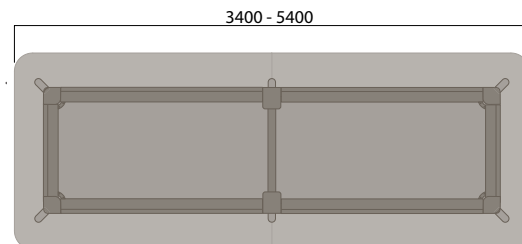
- a. Blanc
- b. Noir
- c. Double Cream
- d. Pink Salt
- e. Nocturnelle
- f. Morello
- g. Scotland Sky
- h. Green Smoke
- i. Moonshine
- j. Byron Blue
- k. Axel

4 Leg Wide

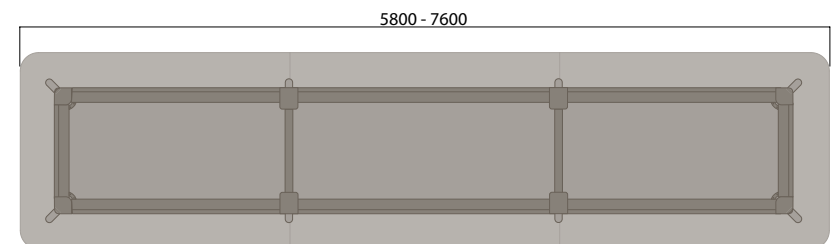
740 (standard height)



6 Leg Wide



8 Leg Wide



Maximum inc. worktop 160kg
 Maximum Point Load 50kg
 Seats 4-22

Tables Features

Materials Information

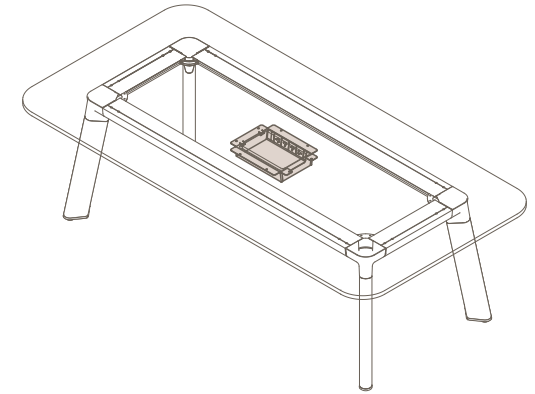
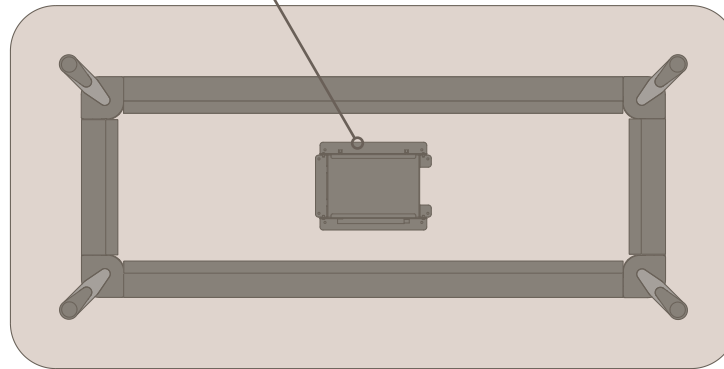
Seamless Powerbox Steel Powerbox Chassis

- a. Black Powdercoat

Cable Management

In-Desk Powerbox

Seamless Powerbox*



Power/Data Options

Option 1:

4x GPO - Type I
(AUS / NZ / CHN)
200mm Data Provision



Option 2:

8x GPO - Type I
(AUS / NZ / CHN)



Option 3:

2x GPO - Type G
(UK / HKG / SGP / MYS)
2x USB Power
200mm Data Provision



Option 4:

4x GPO - Type G
(UK / HKG / SGP / MYS)
4x USB Power



Option 5:

2x GPO - Type F
SHUCKO (EUR)
2x USB Power
200mm Data Provision



Option 6:

4x GPO - Type F
SCHUKO (EUR)
4x USB Power



*Seamless Powerbox requires worktop cut-out and hinged lid. Please contact ThinkingWorks for specifications of worktop cut-out and hinged lid.

Tables Features

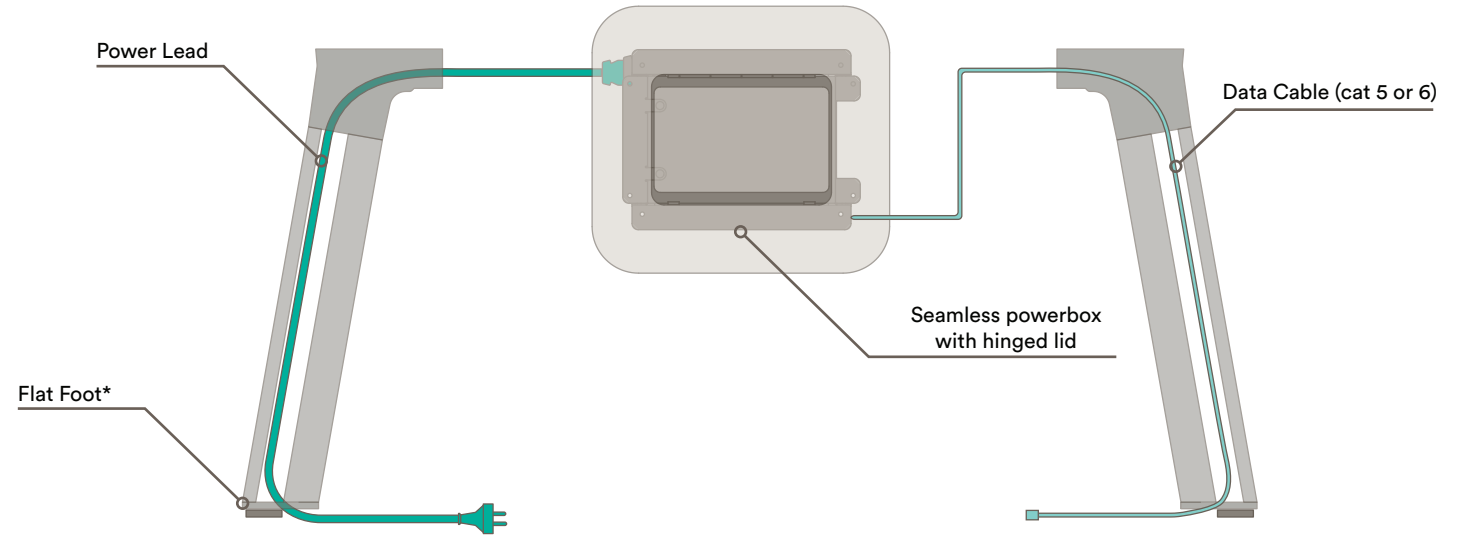
Materials Information

Seamless Powerbox Steel Powerbox Chassis

- a. Black Powdercoat

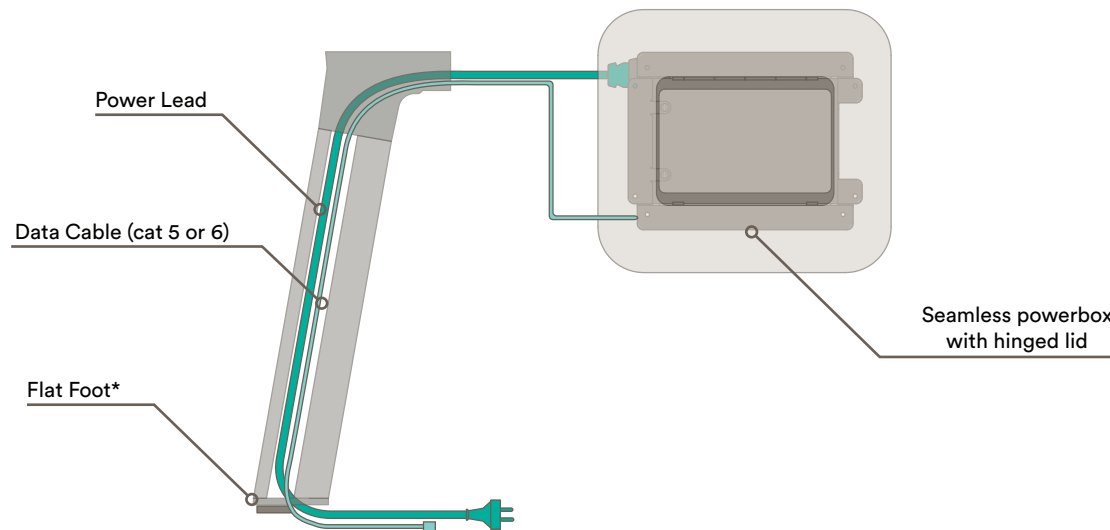
Cable Management

In-Leg Power + Data (Segregated)



Cable Management

In-Leg Power + Data (Unsegregated)



Cable reticulation is possible via a pathway through the timber leg to run power or data cables from Seamless box to floor. 42 x 29mm channel allows for softwiring plugs to be fed through timber leg.

Cable Capacity
Segregated
2x 12mm 20amp Power Cable
or
4x 6mm Cat 5 and 6 Data Cable

Unsegregated
1x 12mm 20amp Power Cable
2x 6mm Cat 5 and 6 Data Cable

*Flat Foot needs to be removed to feed cables and refitted once cables are installed.



Specification

If you would like a sample set of any of our finishes, please call us on 61 (0)2 9726 7177 or e-mail at sales@thinkingw.com.

Due to our policy of continuous product development, specifications and finishes may change without prior notice.

Sustainability Policy

We realise the importance of responsible business practices and have in place numerous product and company sustainability certifications. We would encourage you to download our annual Sustainability Report from the Thinking Works website to get a full overview of our sustainability program.

Thinking Works
© Copyright 2019
All right reserved

Thinking Works
Warehouse 2B/M5 Industry Park,
1 Moorebank Avenue, Moorebank,
New South Wales 2170, Australia

P: +61 (0)2 9726 7177
sales@thinkingw.com

www.thinkingw.com